



# 2020



## CENTURY **PRODUCTS** CATALOG

Factory Engineered Glycol-Cooled and  
Air-Cooled Beer Dispensing Systems

*Prices subject to change without notice.*



[perlick.com](http://perlick.com)



# PRODUCT INDEX



## CHARTS & WORKSHEETS

Century Copper Load Calculations Chart .....	4
Century Frozen Tower Calculations Chart.....	5

## GLYCOL COOLED DISPENSING SYSTEMS

### GLYCOL COOLED DISPENSING TOWERS

Lucky Towers, Panther Towers.....	7
Cobra Towers, Illuminated Cobra Towers, Illuminated Maya Towers, Illuminated Extreme Towers, Falco Towers, Illuminated Falco Towers, Illuminated Lotus Towers, Lotus Towers, Sexy Towers, Napoli Towers, Illuminated Brigitte Towers, Non-Illuminated Brigitte Towers.....	8-12
Draft Arms	
3" O.D., Extra High Draft Arms - 3" O.D. ....	13
4" O.D.....	14
Winged Bridge Towers .....	14
Winged Tee Towers .....	15
Illuminated Winged Tee Towers.....	16
Illuminated Winged Bridge Towers .....	17
Seven Towers.....	18
Illuminated Seven Towers.....	19
Tee Towers - Single Base.....	20
Tee Towers - Wide Base .....	21
Bridge Towers - Dual & Triple Base .....	22
Extra High Bridge Towers.....	23
Bridge Towers - Back To Back.....	24
Extra High Bridge Towers.....	25
Torino Towers.....	25
Brew Pipe Towers - L Shape.....	26
Brew Pipe Towers - Tee Shape.....	26
Brew Pipe Towers - Pass-Thru .....	27
Polished Chrome Dispensing Towers .....	28
Gambrinus Towers.....	30
Roma Towers .....	31
Wall Mount Dispensing Heads .....	32
Spacesaver Underbar Heads.....	32
Modular Wall Mount Dispensers.....	33

### TRUNK HOUSING AND ACCESSORIES

Basic Trunk Housing.....	36
Trunk Housing w/ Water Resistant Jacketing .....	37

### POWER PAKS / ACCESSORIES

ArcticPour Refrigeration Deck .....	38
ArcticPour Misc. Accessories.....	38
ArcticPour Glycol Bath .....	38
Century Series Power Paks .....	41
Glycol System Accessories.....	42

### GLYCOL COOLED DISPENSING SYSTEM COMPONENTS

McDantim's TruMix CO2-Nitrogen Blender .....	43
Beer Blast Nitrogen Generator.....	43
Beer Pump Panel Kits .....	44

## AIR-COOLED DISPENSING SYSTEMS

Engineered Air-Cooled Beer Systems.....	45
---	----

### AIR-COOLED DISPENSING TOWERS

Through-the-Wall Tapping .....	46
Modular Wall Mount Dispenser.....	47
Dual Air Shaft System Parts.....	49
Draft Arms 3" O.D. ....	50
Tee Towers - Single Base.....	51

## BEER SYSTEM ACCESSORIES

Faucets and Faucet Accessories .....	53
--------------------------------------	----

### DRIP PANS

Top Mounted.....	54
Recessed .....	54
Top Mounted with Glass Rinser On Center .....	55
Top Mounted with Glass Rinser On End .....	55
Cutout.....	56
Angled .....	56
Stainless Steel Drip Pan w/ Glass Rinser .....	56

### REGULATOR PANEL KITS AND ACCESSORIES

Regulator Panel Kits/Keg Couplers .....	57
Regulator Panel Kits with FOB's.....	58

### BEER SYSTEM ACCESSORIES

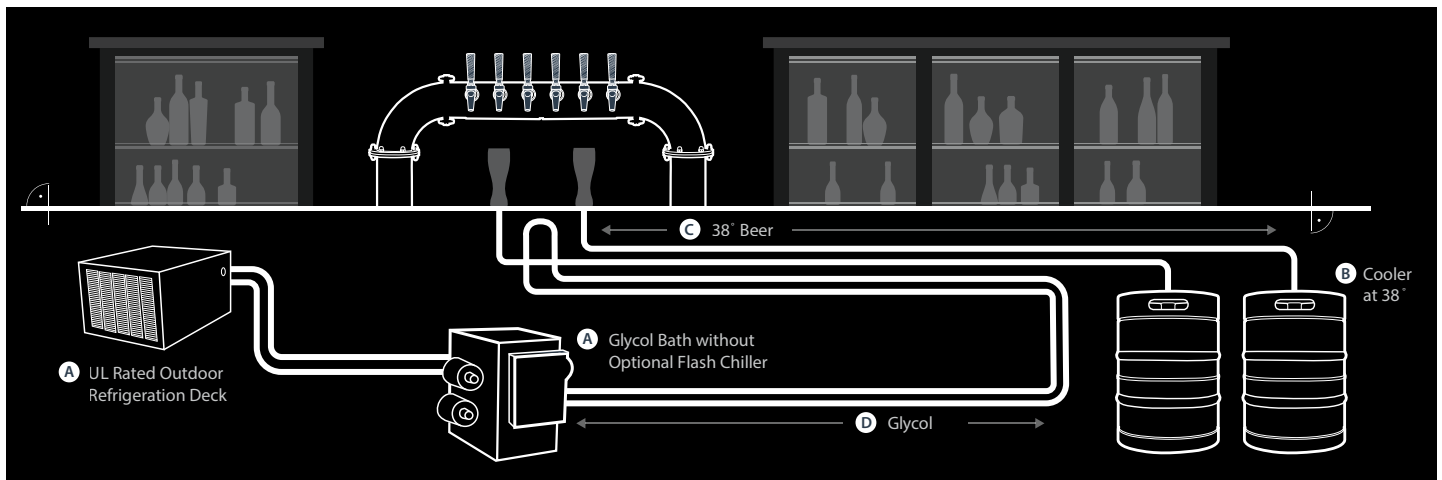
McDantim's Check Valve Tees.....	58
CO2 Detector.....	59
Manifolds, 2- and 3-Outlet .....	59
Regulators .....	59

Terms and Conditions .....	60
Century Performance Guarantee.....	62



## EXPERIENCE THE CENTURY DIFFERENCE ...

Our team of experts will partner with you to design a glycol-cooled or air-cooled Century Beer System that uniquely fits your situation-- from the tower design, to the number and length of beer lines, to critical temperature delivery components, to the amount of pressure needed to push the beer to the tap. We design your system with your needs in mind to get the beer right-- the first time. **Guaranteed.**



### Custom Built at the Factory

The Perlick Century Beer System is the only remote beer dispensing system that is custom built at the factory for each and every job.

### Power Paks

The Perlick Power Pak comes with stainless steel exterior, stainless steel glycol reservoir and electronic temperature control system which includes digital readouts of glycol temperature. Available in air-cooled or water-cooled configurations.

### Made with Only the Finest Materials

Using special polyethylene beverage tubing, each beer line is number-coded and runs continuous and unspliced all the way to the dispensing head. This special tubing will not impart any taste to the product.

### Pure Copper Coolant Lines

Copper coolant lines provide even heat transfer. Each beer line is tapped to a pure copper coolant line for the entire length of the trunk housing to help keep beer cold.

### Custom-Built Dispensing Heads

Perlick manufactures an extensive line of dispensing heads in a variety of eye-catching styles built exclusively for the Century Beer System. Polyfoam insulation ensures that beer is cooled right up to the faucet, eliminating foam-producing hot spots, which waste beer and slow service.

**NOTE: Parts cannot be individually purchased and cannot be used with other manufacturer's components.**





# CENTURY COPPER COOLANT LINE LOAD CALCULATIONS CHART

1. Find the corresponding heat load based on the number of lines for each trunk housing and the ambient temperature in which it will be located.
2. Multiply the length of each trunk housing by the heat load found in step 1.

Chart 1

Ambient Temperature	75 Degree Amb	85 Degree Amb	95 Degree Amb	105 Degree Amb
Beer Line Temperature	38 Degree Line	38 Degree Line	38 Degree Line	38 Degree Line
Perlick Trunk Housing	Heat Gain (Btu/hr/ln ft)	Heat Gain (Btu/hr/ln ft)	Heat Gain (Btu/hr/ln ft)	Heat Gain (Btu/hr/ln ft)
2 Line Copper	4.9	6.2	7.6	9.1
3, 4, 5 Line Copper	7.4	9.5	11.6	14.0
6, 7, 8 Line Copper	8.8	11.2	13.8	16.6
9, 10 Line Copper	12.1	15.4	18.9	22.7
12, 16, 20, 24 Line Copper	14.1	17.9	22.0	26.5
Towers on pages 7 to 11	93 Btu/faucet	122 Btu/faucet	151 Btu/faucet	180 Btu/faucet
All Others Perlick Towers	25 Btu/faucet	35 Btu/faucet	45 Btu/faucet	50 Btu/faucet

3. Calculate the heat load of the tower by multiplying the number of faucets by the heat load per faucet shown in chart #1. This is your total heat load in Btu/hr.
4. Multiply the distance between the location of the Power Pak and the location of the walk-in cooler and multiply by 10 Btu per foot.
5. Add the heat loads for each trunk, coolant connector kit and each tower determined in step 2, 3 and 4 together. This is the total heat load.
6. Using the total Btu load figured from step 5, determine the model Power Pak indicated by the ambient temperature the Power Pak is located in (see chart #2).

Chart 2

Power Pak Model	Capacity(Btu/hr)				
	4404	4410	4414	4414-230	4420
75 Degree Amb	2621	3150	6052	6080	9690
85 Degree Amb	2429	2916	5591	5619	9139
95 Degree Amb	2237	2675	5130	5459	8574
105 Degree Amb	2046	2435	4666	4698	8009

*NOTE: A single 100 gph, 125 psig pump is only capable of a trunk length of approximately 600 ft. when using Perlick pre-mixed propylene glycol (63299-1) and a Perlick poly coolant line trunk housing which incorporates 1/2" O.D. (3/8" I.D.) poly coolant lines.*

**Example: A 12 product trunk housing 125' long running through an attic at a 95 degree ambient temperature.**

- Step 1.** Find the corresponding Btu rating in chart #1 by finding the column with the 12 line trunk and following over to the column @95 degree ambient. You should have come up with 22.0 Btu per foot.
- Step 2.** Take the 125' x 22.0 Btu to come up with a total Btu rating for the trunk housing.  
[125' x 22.0 = 2750 Btu].
- Step 3.** Figure the ambient temperature of the location of the tower. The tower is located in a 75 degree ambient. In chart #1 find the row labeled tower, follow it over to the correlating column for 75 degree ambient, you should come up with 25 Btu per faucet. Take the number of faucets of the tower multiplied by the number of btu's per faucet. In this example it is 25 Btu per faucet multiplied by 12 faucets to equal 300 Btu.
- Step 4.** Determine the location of the Power Pak, measure the distance between the power pak and the walk-in cooler and multiply the distance times 10 Btu's per foot. [20'x10=200Btu].  
Take the total Btu's for the trunk housing Coolant connector kit and the faucets and add them together to come up with the total number of btu's.  
[2750+300+200=3250 Btu]. Next determine the location of the Power Pak. Example: Power Pak is located in the back of the kitchen at an ambient of 110 degrees. Take the total number of Btu's from the previous step (3250 Btu) use chart #2 find the 105 degree Ambient column, move over to the right of the chart until you find the Power Pak size that has enough Btu's to handle the load. In this example the Power Pak would be a 4414.



# CENTURY FROZEN TOWER CALCULATIONS CHART

- 1.** Determine the number of frozen towers (***NO MORE THAN THREE TOWERS RECOMMENDED PER GLYCOL PUMP***) to be installed in the beer system. Use chart #5 to find the corresponding number of towers and faucets and determine the number of Btu's needed just to freeze the tower(s).
- 2.** Determine the location of the Power Pak used to freeze the tower(s). Multiply the distance between the location of the Power Pak and the location of the towers and multiply by 10 Btu per foot.

**Chart 5**

No. of Towers	No. of Faucets/Towers	Btu's @75- 85 Degrees
1	1 fct tower	682
1	2 fct tower	1032
1	3 fct tower	1200
1	4 fct tower	1400
2	1 fct tower & 1 fct tower	1364
2	1 fct tower & 2 fct tower	1714
2	1 fct tower & 3 fct tower	1882
2	1 fct tower & 4 fct tower	2082
2	2 fct tower & 2 fct tower	2064
2	2 fct tower & 3 fct tower	2232
2	2 fct tower & 4 fct tower	2432
2	3 fct tower & 3 fct tower	2400
2	3 fct tower & 4 fct tower	2600
2	4 fct tower & 4 fct tower	2800
3	1 fct tower, 1 fct tower & 1 fct tower	2046
3	1 fct tower, 1 fct tower & 2 fct tower	2396
3	1 fct tower, 2 fct tower & 2 fct tower	2746
3	2 fct tower, 2 fct tower & 2 fct tower	3096
3	2 fct tower, 2 fct tower & 3 fct tower	3264
3	2 fct tower, 3 fct tower & 3 fct tower	3432
3	3 fct tower, 3 fct tower & 3 fct tower	3600
3	3 fct tower, 3 fct tower & 4 fct tower	3800
3	3 fct tower, 4 fct tower & 4 fct tower	4000
3	4 fct tower, 4 fct tower & 4 fct tower	4200

- 3.** Add the heat load determined in step 1 and 2 together to determine the total heat load.
- 4.** Using the total Btu load figured in steps 3, determine the model Power Pak indicated by the ambient temperature the Power Pak is located (see chart #6).

**Chart 6**

Power Pak Model	Capacity(Btu/hr)				
	4404	4410	4414	4414-230	4420
<b>75 Degree Amb</b>	2621	3150	6052	6080	9690
<b>85 Degree Amb</b>	2429	2916	5591	5619	9139
<b>95 Degree Amb</b>	2237	2675	5130	5459	8574
<b>105 Degree Amb</b>	2046	2435	4666	4698	8009



Make a **bold** statement.

An extensive craft beer offering makes a statement about the venue that features them. A beer tower that visually enhances the presentation of craft beers further defines the character of your bar and makes the beer sampling experience more memorable for beer lovers.

Make a bold statement with a Perlick beer dispensing tower.



Scan this code to view our newest towers.



Contact Perlick today.  
[perlick.com](http://perlick.com) • 800.558.5592



QUALITY & INNOVATION  
THAT **INSPIRES**

# GLYCOL COOLED DISPENSING TOWERS

## LUCKY TOWERS

Features all-metal polished chrome or gold tone body and available in one, two or three faucet(s) models. This tower is offered with glycol-cooled or flooded to put a coat of ice on the outside of the tower.

STANDARD GLYCOL-COOLED LUCKY TOWERS				
PART NO.	LIST PRICE	OVERALL HEIGHT	FAUCET HEIGHT	NO. OF FAUCETS
4041-1B	\$1,182.00	16-1/16"	12-15/16"	1
4041GD-1B	\$1,182.00	16-1/16"	12-15/16"	1
4041-2B	\$1,448.00	16-1/16"	12-15/16"	2
4041GD-2B	\$1,448.00	16-1/16"	12-15/16"	2
4041-3B	\$1,760.00	16-1/16"	12-15/16"	3
4041GD-3B	\$1,760.00	16-1/16"	12-15/16"	3

ICED LUCKY TOWERS				
PART NO.	LIST PRICE	OVERALL HEIGHT	FAUCET HEIGHT	NO. OF FAUCETS
*4042-1B	\$1,539.00	16-1/16"	12-15/16"	1
*4042-2B	\$1,805.00	16-1/16"	12-15/16"	2

*\*NOTE: In order to build a layer of ice on the exterior of the tower, an additional power pak is required. Locate power pak as close to the tower as possible.*



4041-2B

## PANTHER TOWERS

Features all-metal polished chrome or gold tone body and available three or four faucets. This tower is offered with glycol-cooled or flooded to put a coat of ice on the outside of the tower.

STANDARD GLYCOL-COOLED PANTHER TOWERS				
PART NO.	LIST PRICE	OVERALL HEIGHT	FAUCET HEIGHT	NO. OF FAUCETS
4043-3B	\$2,251.00	15-3/4"	13-1/16"	3
4043GD-3B	\$2,251.00	15-3/4"	13-1/16"	3
4043-4B	\$2,453.00	15-3/4"	13-1/16"	4
4043GD-4B	\$2,453.00	15-3/4"	13-1/16"	4

ICED PANTHER TOWERS					
PART NO.	LIST PRICE	OVERALL HEIGHT	FAUCET HEIGHT	NO. OF FAUCETS	BTUH 75°
*4044-3B	\$2,608.00	15-3/4"	13-1/16"	3	1200
*4044-4B	\$2,846.00	15-3/4"	13-1/16"	4	1400

*\*NOTE: In order to build a layer of ice on the exterior of the tower, an additional power pak is required. Locate power pak as close to the tower as possible.*



4043-4B

**Faucets are sold separately. Please see page 53 for options.**



# GLYCOL COOLED DISPENSING TOWERS

## TOWERS

Features all-metal polished chrome. Insulated restrictors engineered to site requirements. Glycol cooled.

### COBRA TOWERS

POLISHED CHROME				
PART NO.	LIST PRICE	NO. OF FAUCETS	OVERALL HEIGHT	FAUCET HEIGHT
4085-1B	\$1,012.00	1	16-1/2"	14-1/8"
4085-2B	\$1,588.00	2	16-1/2"	14-1/8"
4085-3B	\$2,046.00	3	16-1/2"	14-1/8"
4085-4B	\$2,238.00	4	16-1/2"	14-1/8"



4085-4B

### ILLUMINATED COBRA TOWERS

POLISHED CHROME				
PART NO.	LIST PRICE	NO. OF FAUCETS	OVERALL HEIGHT	FAUCET HEIGHT
4085-1BIM	\$1,509.00	1	19-3/16"	14-1/8"
4085-2BIM	\$2,325.00	2	18-5/16"	14-1/8"
4085-3BIM	\$3,191.00	3	22"	14-1/8"
4085-4BIM	\$3,663.00	4	22"	14-1/8"



4085-2BIM

*Faucets are sold separately. Please see page 53 for options.*

### ILLUMINATED MAYA TOWERS

POLISHED CHROME				
PART NO.	LIST PRICE	NO. OF FAUCETS	OVERALL HEIGHT	FAUCET HEIGHT
4087-1BIM	\$2,563.00	1	20-1/2"	13-9/16"



4087-1BIM

### ILLUMINATED EXTREME TOWERS

POLISHED CHROME				
PART NO.	LIST PRICE	NO. OF FAUCETS	OVERALL HEIGHT	FAUCET HEIGHT
4089-1BIM	\$1,744.00	1	20-5/16"	14-1/8"

4089-1BIM





# GLYCOL COOLED DISPENSING TOWERS

## FALCO TOWERS

Features all-metal polished chrome or gold tone body. Insulated restrictors engineered to site requirements. Glycol cooled.

### FALCO TOWERS

PART NO.	LIST PRICE	NO. OF FAUCETS	OVERALL HEIGHT	FAUCET HEIGHT
<b>POLISHED CHROME</b>				
4057-1B	<b>\$1,086.00</b>	1	18-11/16"	16"
4057-2B	<b>\$1,353.00</b>	2	18-11/16"	16"
4057-3B	<b>\$1,487.00</b>	3	18-11/16"	16"
<b>GOLD TONE</b>				
4057GD-1B	<b>\$1,592.00</b>	1	18-11/16"	16"
4057GD-2B	<b>\$1,811.00</b>	2	18-11/16"	16"
4057GD-3B	<b>\$1,994.00</b>	3	18-11/16"	16"



4057-3B

### ILLUMINATED FALCO TOWERS

PART NO.	LIST PRICE	NO. OF FAUCETS	OVERALL HEIGHT	FAUCET HEIGHT
<b>POLISHED CHROME</b>				
4057-1BIM	<b>\$1,412.00</b>	1	22-1/16"	16"
4057-2BIM	<b>\$2,189.00</b>	2	22-1/16"	16"
4057-3BIM	<b>\$2,474.00</b>	3	23-5/16"	16"
<b>GOLD TONE</b>				
4057GD-1BIM	<b>\$1,772.00</b>	1	22-1/16"	16"
4057GD-2BIM	<b>\$2,539.00</b>	2	22-1/16"	16"
4057GD-3BIM	<b>\$2,552.00</b>	3	22-5/16"	16"



4057-1BIM

*Faucets are sold separately. Please see page 53 for options.*

# GLYCOL COOLED DISPENSING TOWERS

## TOWERS

Features all-metal polished chrome. Insulated restrictors engineered to site requirements. Glycol cooled.

### ILLUMINATED LOTUS TOWERS

MEDIUM WOOD				
PART NO.	LIST PRICE	NO. OF FAUCETS	OVERALL HEIGHT	FAUCET HEIGHT
4092-M1BIM	\$2,946.00	1	22-5/8"	14-1/8"
DARK WOOD				
PART NO.	LIST PRICE	NO. OF FAUCETS	OVERALL HEIGHT	FAUCET HEIGHT
4092-D1BIM	\$2,946.00	1	22-5/8"	14-1/8"



4092-M1BIM



4092-D1BIM

### LOTUS TOWERS

POLISHED CHROME				
PART NO.	LIST PRICE	NO. OF FAUCETS	OVERALL HEIGHT	FAUCET HEIGHT
4092-1B	\$1,550.00	1	17-15/16"	14-1/8"
4092-2B	\$2,199.00	2	17-15/16"	14-1/8"
4092-3B	\$2,331.00	3	17-15/16"	14-1/8"
4092-4B	\$3,645.00	4	17-15/16"	14-1/8"
4092-5B	\$3,719.00	5	17-15/16"	14-1/8"



4092-5B

*Faucets are sold separately. Please see page 53 for options.*

# GLYCOL COOLED DISPENSING TOWERS

## SEXY TOWERS

Features all-metal polished chrome or gold tone body. This tower is offered with glycol-cooled or flooded to put a coat of ice on the outside of the tower. Illuminated medallions come as shown with white badges. Brand I.D. badges are available from the beer wholesalers.

### STANDARD GLYCOL-COOLED SEXY TOWERS

PART NO.	LIST PRICE	OVERALL HEIGHT	FAUCET HEIGHT	NO. OF FAUCETS
4045-2B	<b>\$1,265.00</b>	16-1/8"	12-13/16"	2
4045GD-2B	<b>\$1,317.00</b>	16-1/8"	12-13/16"	2

### ILLUMINATED GLYCOL-COOLED SEXY TOWERS

PART NO.	LIST PRICE	OVERALL HEIGHT	FAUCET HEIGHT	NO. OF FAUCETS
4045-3BIM	<b>\$2,236.00</b>	21-13/16"	12-11/16"	3
4045GD-3BIM	<b>\$2,313.00</b>	21-13/16"	12-11/16"	3
4045-4BIM	<b>\$2,705.00</b>	21"	12-11/16"	4
*4045GD-4BIM	<b>\$2,874.00</b>	21"	12-11/16"	4

\*NOTE: The four faucet sexy illuminated towers use 60 mm fish eye medallions.

### ICED SEXY TOWERS

PART NO.	LIST PRICE	OVERALL HEIGHT	FAUCET HEIGHT	NO. OF FAUCETS	BTUH 75°
*4046-3BIM	<b>\$2,275.00</b>	16-1/8"	12-11/16"	3	1200

\*NOTE: In order to build a layer of ice on the exterior of the tower, an additional power pak is required. Locate power pak as close to the tower as possible.



4045GD-2B  
(Back View)



4045GD-3BIM

**Faucets are sold separately. Please see page 53 for options.**

# GLYCOL COOLED DISPENSING TOWERS

## NAPOLI TOWERS

Decorative dual faucet draft arm available with polished chrome or tarnish-free brass body.

POLISHED CHROME				
PART NO.	LIST PRICE	OVERALL HEIGHT	FAUCET HEIGHT	NO. OF FAUCETS
4053PC2B	\$1,698.00	19-3/4"	12-3/4"	2

GOLD TONE				
PART NO.	LIST PRICE	OVERALL HEIGHT	FAUCET HEIGHT	NO. OF FAUCETS
4053GD2B	\$1,736.00	19-3/4"	12-3/4"	2



4053PC2B

*Faucets are sold separately. Please see page 53 for options.*

## ILLUMINATED BRIGITTE TOWERS

Decorative polished chrome-plated finish features 3, 5 or 7 faucet models and includes plug-and-play illuminated medallions.

POLISHED CHROME				
PART NO.	LIST PRICE	OVERALL HEIGHT	FAUCET HEIGHT	NO. OF FAUCETS
4049-3BIM	\$3,089.00	20-7/8"	12-3/8"	3
4049-5BIM	\$3,841.00	20-7/8"	12-3/8"	5
4049-7BIM	\$7,934.00	20-7/8"	12-3/8"	7



4047-3BIM

## NON-ILLUMINATED BRIGITTE TOWERS

Decorative polished chrome-plated finish features 3, 5 or 7 faucet models.

POLISHED CHROME				
PART NO.	LIST PRICE	OVERALL HEIGHT	FAUCET HEIGHT	NO. OF FAUCETS
4049-3B	\$2,485.00	16-1/2"	12-3/8"	3
4049-5B	\$3,073.00	16-1/2"	12-3/8"	5
4049-7B	\$6,259.00	16-1/2"	12-3/8"	7





# GLYCOL COOLED DISPENSING TOWERS

## DRAFT ARMS 3" O.D.

Available with polished chrome or tarnish-free brass body.

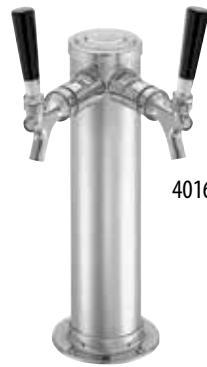
For NSF-approved Draft Arms - Add the suffix letter "N" to part number and add \$28.00 list per faucet.

POLISHED CHROME				
PART NO.	LIST PRICE	OVERALL HEIGHT	FAUCET HEIGHT	NO. OF FAUCETS
4010	<b>\$867.00</b>	12-3/4"	9-1/2"	1
4016	<b>\$1,058.00</b>	12-3/4"	9-1/2"	2
4026	<b>\$1,356.00</b>	12-3/4"	9-1/2"	3



4010

TARNISH-FREE BRASS				
PART NO.	LIST PRICE	OVERALL HEIGHT	FAUCET HEIGHT	NO. OF FAUCETS
4010TF	<b>\$1,068.00</b>	12-3/4"	9-1/2"	1
4016TF	<b>\$1,325.00</b>	12-3/4"	9-1/2"	2
4026TF	<b>\$1,700.00</b>	12-3/4"	9-1/2"	3



4016



\*4026

\*Faucet height of center faucet is 9-1/8" on draft arms with three faucets.

## EXTRA HIGH DRAFT ARMS - 3" O.D.

To order 3" O.D. draft arms one or three inches higher than standard listed above, add suffix number and additional amount to the list price for the head selected. For example, to order a one faucet draft arm that is 13-3/4" tall, order part number 4010-1. See chart below:

SUFFIX NUMBER	ADD TO LIST PRICE	NO. OF FAUCETS	DISPENSING HEAD	ADDITIONAL HEIGHT	OVERALL HEIGHT	FAUCET HEIGHT
1	<b>\$82.00</b>	1	3" O.D. Draft Arm	1"	13-3/4"	10-1/2"
3	<b>\$86.00</b>	1	3" O.D. Draft Arm	3"	15-3/4"	12-1/2"
1	<b>\$82.00</b>	2	3" O.D. Draft Arm	1"	13-3/4"	10-1/2"
3	<b>\$86.00</b>	2	3" O.D. Draft Arm	3"	15-3/4"	12-1/2"
2	<b>\$86.00</b>	3	3" O.D. Draft Arm	2"	15-3/4"	12-1/2"

**Faucets are sold separately. Please see page 53 for options.**

# GLYCOL COOLED DISPENSING TOWERS

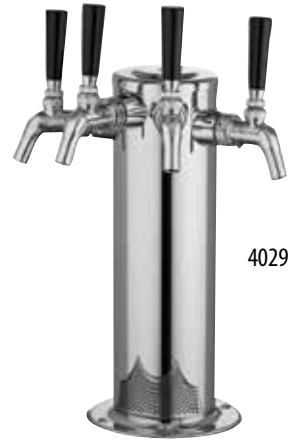
## DRAFT ARMS 4" O.D.

Available with polished chrome or tarnish-free brass body.

POLISHED CHROME				
PART NO.	LIST PRICE	OVERALL HEIGHT	FAUCET HEIGHT	NO. OF FAUCETS
*4028	\$1,741.00	14"	10-1/2"	3
4029	\$1,848.00	14"	10-1/2"	4

TARNISH-FREE BRASS				
PART NO.	LIST PRICE	OVERALL HEIGHT	FAUCET HEIGHT	NO. OF FAUCETS
*4028TF	\$2,034.00	14"	10-1/2"	3
4029TF	\$2,174.00	14"	10-1/2"	4

\* Faucet height of center faucet is 11-1/8" on draft arms with three faucets.



**Faucets are sold separately. Please see page 53 for options.**



## WINGED BRIDGE TOWERS

Features all-metal stainless steel, polished chrome and tarnish-free brass body.

STAINLESS STEEL						
PART NO.	LIST PRICE	FAUCET CENTERS	OVERALL WIDTH	OVERALL HEIGHT	FAUCET HEIGHT	NO. OF FAUCETS
66500-8B	\$2,777.00	4-1/8"	32-5/8"	16-1/2"	13"	8
66500-10B	\$3,080.00	3"	30-3/4"	16-1/2"	13"	10
66500-12B	\$3,405.00	3"	36-3/4"	16-1/2"	13"	12

POLISHED CHROME						
PART NO.	LIST PRICE	FAUCET CENTERS	OVERALL WIDTH	OVERALL HEIGHT	FAUCET HEIGHT	NO. OF FAUCETS
66500-8BPC	\$2,993.00	4-1/8"	32-5/8"	16-1/2"	13"	8
66500-10BPC	\$3,287.00	3"	30-3/4"	16-1/2"	13"	10
66500-12BPC	\$3,637.00	3"	36-3/4"	16-1/2"	13"	12

TARNISH-FREE BRASS						
PART NO.	LIST PRICE	FAUCET CENTERS	OVERALL WIDTH	OVERALL HEIGHT	FAUCET HEIGHT	NO. OF FAUCETS
66500-8BTF	\$3,469.00	4-1/8"	32-5/8"	16-1/2"	13"	8
66500-10BTF	\$3,864.00	3"	30-3/4"	16-1/2"	13"	10
66500-12BTF	\$4,289.00	3"	36-3/4"	16-1/2"	13"	12

**WARNING: California Proposition 65 Notice.**  
See page 15 for details.

# GLYCOL COOLED DISPENSING TOWERS

## WINGED TEE TOWERS

Features all-metal stainless steel, polished chrome and tarnish-free brass body.



66500-6BTF



66500-6BPC

### STAINLESS STEEL

PART NO.	LIST PRICE	FAUCET CENTERS	OVERALL WIDTH	OVERALL HEIGHT	FAUCET HEIGHT	NO. OF FAUCETS
66500-4B	<b>\$1,708.00</b>	3"	12-3/4"	16-1/2"	13"	4
66500-5B	<b>\$1,887.00</b>	3"	15-3/4"	16-1/2"	13"	5
66500-6B	<b>\$2,087.00</b>	3"	18-3/4"	16-1/2"	13"	6
66500-S8B	<b>\$2,429.00</b>	3"	24-3/8"	16-1/2"	13"	8

### POLISHED CHROME

PART NO.	LIST PRICE	FAUCET CENTERS	OVERALL WIDTH	OVERALL HEIGHT	FAUCET HEIGHT	NO. OF FAUCETS
66500-4BPC	<b>\$1,776.00</b>	3"	12-3/4"	16-1/2"	13"	4
66500-5BPC	<b>\$2,010.00</b>	3"	15-3/4"	16-1/2"	13"	5
66500-6BPC	<b>\$2,176.00</b>	3"	18-3/4"	16-1/2"	13"	6
66500-S8BPC	<b>\$2,639.00</b>	3"	24-3/8"	16-1/2"	13"	8

### TARNISH-FREE BRASS

PART NO.	LIST PRICE	FAUCET CENTERS	OVERALL WIDTH	OVERALL HEIGHT	FAUCET HEIGHT	NO. OF FAUCETS
66500-4BTF	<b>\$2,117.00</b>	3"	12-3/4"	16-1/2"	13"	4
66500-5BTF	<b>\$2,350.00</b>	3"	15-3/4"	16-1/2"	13"	5
66500-6BTF	<b>\$2,605.00</b>	3"	18-3/4"	16-1/2"	13"	6
66500-S8BTF	<b>\$3,049.00</b>	3"	24-3/8"	16-1/2"	13"	8



#### WARNING: California Proposition 65 Notice.

The materials used in this product may contain chemicals known to the State of California to cause cancer and birth defects or other reproductive harm. For more information go to [www.P65Warnings.ca.gov](http://www.P65Warnings.ca.gov).

**Faucets are sold separately. Please see page 53 for options.**

# GLYCOL COOLED DISPENSING TOWERS

## ILLUMINATED WINGED TEE TOWERS

Features all-metal stainless steel, polished chrome and tarnish-free brass body. Plug-and-play illuminated medallions come as shown with white badges. Brand I.D. badges are available from beer wholesaler.



66500P-6BIM

### STAINLESS STEEL

PART NO.	LIST PRICE	FAUCET CENTERS	OVERALL WIDTH	OVERALL HEIGHT	FAUCET HEIGHT	NO. OF FAUCETS
66500P-4BIM	\$2,319.00	3"	12-3/4"	22-1/4"	13"	4
66500P-5BIM	\$2,651.00	3"	15-3/4"	22-1/4"	13"	5
66500P-6BIM	\$3,002.00	3"	18-3/4"	22-1/4"	13"	6
66500P-8BIM	\$3,708.00	3"	24-3/4"	22-1/4"	13"	8

### POLISHED CHROME

PART NO.	LIST PRICE	FAUCET CENTERS	OVERALL WIDTH	OVERALL HEIGHT	FAUCET HEIGHT	NO. OF FAUCETS
66500P-4BPCIM	\$2,386.00	3"	12-3/4"	22-1/4"	13"	4
66500P-5BPCIM	\$2,773.00	3"	15-3/4"	22-1/4"	13"	5
66500P-6BPCIM	\$3,090.00	3"	18-3/4"	22-1/4"	13"	6
66500P-8BPCIM	\$3,921.00	3"	24-3/4"	22-1/4"	13"	8

### TARNISH-FREE BRASS

PART NO.	LIST PRICE	FAUCET CENTERS	OVERALL WIDTH	OVERALL HEIGHT	FAUCET HEIGHT	NO. OF FAUCETS
66500P-4BTFIM	\$2,849.00	3"	12-3/4"	22-1/4"	13"	4
66500P-5BTFIM	\$3,265.00	3"	15-3/4"	22-1/4"	13"	5
66500P-6BTFIM	\$3,451.00	3"	18-3/4"	22-1/4"	13"	6
66500P-8BTFIM	\$4,587.00	3"	24-3/4"	22-1/4"	13"	8



**WARNING: California Proposition 65 Notice.**  
See page 15 for details.

*Faucets are sold separately. Please see page 53 for options.*



# GLYCOL COOLED DISPENSING TOWERS

## ILLUMINATED WINGED BRIDGE TOWERS

Features all-metal stainless steel, polished chrome and tarnish-free brass body. Plug-and-play illuminated medallions come as shown with white badges. Brand I.D. badges are available from beer wholesaler.



66500P-12BIM

### STAINLESS STEEL

PART NO.	LIST PRICE	FAUCET CENTERS	OVERALL WIDTH	OVERALL HEIGHT	FAUCET HEIGHT	NO. OF FAUCETS
66500P-8BIM	<b>\$4,028.00</b>	4-1/8"	32-5/8"	22-1/4"	13"	8
66500P-10BIM	<b>\$4,697.00</b>	3"	30-3/4"	22-1/4"	13"	10
66500P-12BIM	<b>\$5,358.00</b>	3"	36-3/4"	22-1/4"	13"	12

### POLISHED CHROME

PART NO.	LIST PRICE	FAUCET CENTERS	OVERALL WIDTH	OVERALL HEIGHT	FAUCET HEIGHT	NO. OF FAUCETS
66500P-8BPCIM	<b>\$4,242.00</b>	4-1/8"	32-5/8"	22-1/4"	13"	8
66500P-10BPCIM	<b>\$4,904.00</b>	3"	30-3/4"	22-1/4"	13"	10
66500P-12BPCIM	<b>\$5,551.00</b>	3"	36-3/4"	22-1/4"	13"	12

### TARNISH-FREE BRASS

PART NO.	LIST PRICE	FAUCET CENTERS	OVERALL WIDTH	OVERALL HEIGHT	FAUCET HEIGHT	NO. OF FAUCETS
66500P-8BTFIM	<b>\$4,969.00</b>	4-1/8"	32-5/8"	22-1/4"	13"	8
66500P-10BTFIM	<b>\$5,807.00</b>	3"	30-3/4"	22-1/4"	13"	10
66500P-12BTFIM	<b>\$6,634.00</b>	3"	36-3/4"	22-1/4"	13"	12



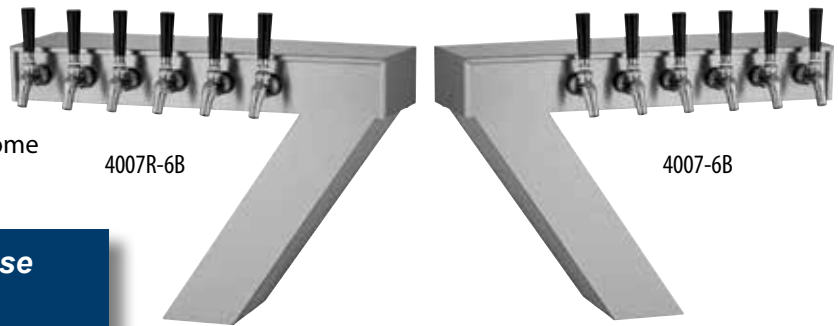
**WARNING: California Proposition 65 Notice.**  
See page 15 for details.

*Faucets are sold separately. Please see page 53 for options.*

# GLYCOL COOLED DISPENSING TOWERS

## SEVEN TOWERS

Features all-metal stainless steel, polished chrome and tarnish-free brass body.



*Faucets are sold separately. Please see page 53 for options.*

### STAINLESS STEEL

PART NO.	LIST PRICE	FAUCET CENTERS	OVERALL WIDTH	OVERALL HEIGHT	FAUCET HEIGHT	NO. OF FAUCETS
4007-4B	\$2,161.00	5"	24"	16-1/2"	13"	4
4007-5B	\$2,502.00	3-3/4"	24"	16-1/2"	13"	5
4007-6B	\$2,605.00	3"	24"	16-1/2"	13"	6

### POLISHED CHROME

PART NO.	LIST PRICE	FAUCET CENTERS	OVERALL WIDTH	OVERALL HEIGHT	FAUCET HEIGHT	NO. OF FAUCETS
4007-4BPC	\$2,286.00	5"	24"	16-1/2"	13"	4
4007-5BPC	\$2,651.00	3-3/4"	24"	16-1/2"	13"	5
4007-6BPC	\$2,761.00	3"	24"	16-1/2"	13"	6

### TARNISH-FREE BRASS

PART NO.	LIST PRICE	FAUCET CENTERS	OVERALL WIDTH	OVERALL HEIGHT	FAUCET HEIGHT	NO. OF FAUCETS
4007-4BTF	\$2,660.00	5"	24"	16-1/2"	13"	4
4007-5BTF	\$3,088.00	3-3/4"	24"	16-1/2"	13"	5
4007-6BTF	\$3,229.00	3"	24"	16-1/2"	13"	6

### REVERSE STAINLESS STEEL

PART NO.	LIST PRICE	FAUCET CENTERS	OVERALL WIDTH	OVERALL HEIGHT	FAUCET HEIGHT	NO. OF FAUCETS
4007R-4B	\$2,161.00	5"	24"	16-1/2"	13"	4
4007R-5B	\$2,502.00	3-3/4"	24"	16-1/2"	13"	5
4007R-6B	\$2,605.00	3"	24"	16-1/2"	13"	6

### REVERSE POLISHED CHROME

PART NO.	LIST PRICE	FAUCET CENTERS	OVERALL WIDTH	OVERALL HEIGHT	FAUCET HEIGHT	NO. OF FAUCETS
4007R-4BPC	\$2,286.00	5"	24"	16-1/2"	13"	4
4007R-5BPC	\$2,651.00	3-3/4"	24"	16-1/2"	13"	5
4007R-6BPC	\$2,761.00	3"	24"	16-1/2"	13"	6

### REVERSE TARNISH-FREE BRASS

PART NO.	LIST PRICE	FAUCET CENTERS	OVERALL WIDTH	OVERALL HEIGHT	FAUCET HEIGHT	NO. OF FAUCETS
4007R-4BTF	\$2,660.00	5"	24"	16-1/2"	13"	4
4007R-5BTF	\$3,088.00	3-3/4"	24"	16-1/2"	13"	5
4007R-6BTF	\$3,229.00	3"	24"	16-1/2"	13"	6



**WARNING: California Proposition 65 Notice.**  
See page 15 for details.

# GLYCOL COOLED DISPENSING TOWERS

## ILLUMINATED SEVEN TOWERS

Features all-metal stainless steel, polished chrome and tarnish-free brass body. Plug-and-play illuminated medallions come as shown with white badges. Brand I.D. badges are available from the beer wholesalers.



4007P-6BTFIM

*Faucets are sold separately. Please see page 53 for options.*

### STAINLESS STEEL

PART NO.	LIST PRICE	FAUCET CENTERS	OVERALL WIDTH	OVERALL HEIGHT	FAUCET HEIGHT	NO. OF FAUCETS
4007P-4BIM	\$2,770.00	5"	24"	22-5/8"	13"	4
4007P-5BIM	\$3,265.00	3-3/4"	24"	22-5/8"	13"	5
4007P-6BIM	\$3,520.00	3"	24"	22-5/8"	13"	6

### POLISHED CHROME

PART NO.	LIST PRICE	FAUCET CENTERS	OVERALL WIDTH	OVERALL HEIGHT	FAUCET HEIGHT	NO. OF FAUCETS
4007P-4BPCIM	\$2,895.00	5"	24"	22-5/8"	13"	4
4007P-5BPCIM	\$3,413.00	3-3/4"	24"	22-5/8"	13"	5
4007P-6BPCIM	\$3,677.00	3"	24"	22-5/8"	13"	6

### TARNISH-FREE BRASS

PART NO.	LIST PRICE	FAUCET CENTERS	OVERALL WIDTH	OVERALL HEIGHT	FAUCET HEIGHT	NO. OF FAUCETS
4007P-4BTFIM	\$3,270.00	5"	24"	22-5/8"	13"	4
4007P-5BTFIM	\$3,851.00	3-3/4"	24"	22-5/8"	13"	5
4007P-6BTFIM	\$4,142.00	3"	24"	22-5/8"	13"	6

### REVERSE STAINLESS STEEL

PART NO.	LIST PRICE	FAUCET CENTERS	OVERALL WIDTH	OVERALL HEIGHT	FAUCET HEIGHT	NO. OF FAUCETS
4007PR-4BIM	\$2,770.00	5"	24"	22-5/8"	13"	4
4007PR-5BIM	\$3,605.00	3-3/4"	24"	22-5/8"	13"	5
4007PR-6BIM	\$3,364.00	3"	24"	22-5/8"	13"	6

### REVERSE POLISHED CHROME

PART NO.	LIST PRICE	FAUCET CENTERS	OVERALL WIDTH	OVERALL HEIGHT	FAUCET HEIGHT	NO. OF FAUCETS
4007PR-4BPCIM	\$2,895.00	5"	24"	22-5/8"	13"	4
4007PR-5BPCIM	\$3,413.00	3-3/4"	24"	22-5/8"	13"	5
4007PR-6BPCIM	\$3,677.00	3"	24"	22-5/8"	13"	6

### REVERSE TARNISH-FREE BRASS

PART NO.	LIST PRICE	FAUCET CENTERS	OVERALL WIDTH	OVERALL HEIGHT	FAUCET HEIGHT	NO. OF FAUCETS
4007PR-4BTFIM	\$3,270.00	5"	24"	22-5/8"	13"	4
4007PR-5BTFIM	\$3,851.00	3-3/4"	24"	22-5/8"	13"	5
4007PR-6BTFIM	\$4,142.00	3"	24"	22-5/8"	13"	6

**WARNING: California Proposition 65 Notice.**  
See page 15 for details.



# GLYCOL COOLED DISPENSING TOWERS

## TEE TOWERS - SINGLE BASE

Features all-metal stainless steel, polished chrome and tarnish-free brass body.

For NSF-approved Tee Towers - Add the suffix letter "N" to part number and add \$28.00 list per faucet.



4006-3B



4006-5B

STAINLESS STEEL						
PART NO.	LIST PRICE	NUMBER OF FAUCETS	OVERALL LENGTH	OVERALL HEIGHT	FAUCET HEIGHT	FAUCET CENTERS
4006-2B	\$1,158.00	2	9-1/8"	12-15/16"	9-1/2"	5-1/2"
4006-3B	\$1,275.00	3	9-1/8"	12-15/16"	9-1/2"	2-3/4"
4006-4B	\$1,381.00	4	11-7/8"	12-15/16"	9-1/2"	2-3/4"
4006-5B	\$1,704.00	5	14-5/8"	12-15/16"	9-1/2"	2-3/4"
4006-6B	\$1,884.00	6	17-3/8"	12-15/16"	9-1/2"	2-3/4"
4006-7B	\$1,977.00	7	20-1/8"	12-15/16"	9-1/2"	2-3/4"

POLISHED CHROME						
PART NO.	LIST PRICE	NUMBER OF FAUCETS	OVERALL LENGTH	OVERALL HEIGHT	FAUCET HEIGHT	FAUCET CENTERS
4006-2BPC	\$1,230.00	2	9-1/8"	12-15/16"	9-1/2"	5-1/2"
4006-3BPC	\$1,382.00	3	9-1/8"	12-15/16"	9-1/2"	2-3/4"
4006-4BPC	\$1,501.00	4	11-7/8"	12-15/16"	9-1/2"	2-3/4"
4006-5BPC	\$1,853.00	5	14-5/8"	12-15/16"	9-1/2"	2-3/4"
4006-6BPC	\$2,006.00	6	17-3/8"	12-15/16"	9-1/2"	2-3/4"
4006-7BPC	\$2,131.00	7	20-1/8"	12-15/16"	9-1/2"	2-3/4"

TARNISH-FREE BRASS						
PART NO.	LIST PRICE	NUMBER OF FAUCETS	OVERALL LENGTH	OVERALL HEIGHT	FAUCET HEIGHT	FAUCET CENTERS
4006-2BTF	\$1,423.00	2	9-1/8"	12-15/16"	9-1/2"	5-1/2"
4006-3BTF	\$1,579.00	3	9-1/8"	12-15/16"	9-1/2"	2-3/4"
4006-4BTF	\$1,725.00	4	11-7/8"	12-15/16"	9-1/2"	2-3/4"
4006-5BTF	\$2,013.00	5	14-5/8"	12-15/16"	9-1/2"	2-3/4"
4006-6BTF	\$2,234.00	6	17-3/8"	12-15/16"	9-1/2"	2-3/4"
4006-7BTF	\$2,345.00	7	20-1/8"	12-15/16"	9-1/2"	2-3/4"

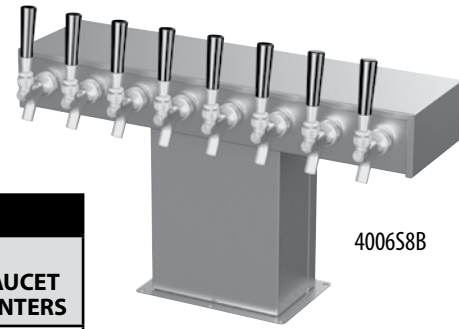
**WARNING: California Proposition 65 Notice.**  
See page 15 for details.

**Faucets are sold separately. Please see page 53 for options.**



# GLYCOL COOLED DISPENSING TOWERS

**Faucets are sold separately. Please see page 53 for options.**



4006S8B

## TEE TOWERS - WIDE BASE

### STAINLESS STEEL

PART NO.	LIST PRICE	NUMBER OF FAUCETS	OVERALL LENGTH	OVERALL HEIGHT	FAUCET HEIGHT	FAUCET CENTERS
4006S8B	\$2,075.00	8	22-7/8"	12-15/16"	9-1/2"	2-3/4"
4006S9B	\$2,336.00	9	26-7/8"	12-15/16"	9-1/2"	3"
4006S10B	\$2,636.00	10	29-13/16"	12-15/16"	9-1/2"	3"
4006S12B	\$2,903.00	12	35-3/4"	12-15/16"	9-1/2"	3"

### POLISHED CHROME

PART NO.	LIST PRICE	NUMBER OF FAUCETS	OVERALL LENGTH	OVERALL HEIGHT	FAUCET HEIGHT	FAUCET CENTERS
4006S8BPC	\$2,268.00	8	22-7/8"	12-15/16"	9-1/2"	2-3/4"
4006S9BPC	\$2,551.00	9	26-7/8"	12-15/16"	9-1/2"	3"
4006S10BPC	\$2,880.00	10	29-13/16"	12-15/16"	9-1/2"	3"
4006S12BPC	\$3,176.00	12	35-3/4"	12-15/16"	9-1/2"	3"

### TARNISH-FREE BRASS

PART NO.	LIST PRICE	NUMBER OF FAUCETS	OVERALL LENGTH	OVERALL HEIGHT	FAUCET HEIGHT	FAUCET CENTERS
4006S8BTF	\$2,626.00	8	22-7/8"	12-15/16"	9-1/2"	2-3/4"
4006S9BTF	\$2,955.00	9	26-7/8"	12-15/16"	9-1/2"	3"
4006S10BTF	\$3,334.00	10	29-13/16"	12-15/16"	9-1/2"	3"
4006S12BTF	\$3,688.00	12	35-3/4"	12-15/16"	9-1/2"	3"

### MATCHING OPTIONAL DRIP PAN

TYPE	4006S8B 4006S8BPC 4006S8BTF	4006S9B 4006S9BPC 4006S9BTF	4006S10B 4006S10BPC 4006S10BTF	4006S12B 4006S12BPC 4006S12BTF
Top Mount - 5020 Series	5028*	n/a	n/a	5030*
Top Mount - C18000 Series	C18650A*	C18655*	C18655*	C18660
Recessed	n/a	n/a	n/a	59879

\* Add "TF" to Drip Pan model number for Tarnish-Free Brass Finish.

\*\*For the Top Mount C18000 Series Drip Pan, these are available with built-in rinser. See page 37.

## EXTRA HIGH TEE TOWERS

To order either Standard or Wide Base Tee Towers that are higher than standard, add suffix number and additional amount to list price for the head selected. For example, to order a three faucet polished chrome Tee Tower that is 15-9/16" tall, order part number 4006-3BPC2. See chart below:

SUFFIX NUMBER	ADD TO LIST PRICE	NO. OF FAUCETS	DISPENSING HEAD	ADDITIONAL HEIGHT	OVERALL HEIGHT	FAUCET HEIGHT
2	\$82.00	All	Tee Tower	2-5/8"	15-9/16"	12-1/8"
4	\$86.00	All	Tee Tower	3-3/4"	16-11/16"	13-1/4"

**WARNING: California Proposition 65 Notice.**  
See page 15 for details.



# GLYCOL COOLED DISPENSING TOWERS

## BRIDGE TOWERS - DUAL & TRIPLE BASE

Features all-metal stainless steel, polished chrome and tarnish-free brass body.

For NSF-approved Bridge Towers - Add the suffix letter "N" to part number and add \$28.00 list per faucet.



4006-8BTF

**Faucets are sold separately. Please see page 53 for options.**

STAINLESS STEEL						
PART NO.	LIST PRICE	NUMBER OF FAUCETS	OVERALL LENGTH	OVERALL HEIGHT	FAUCET HEIGHT	FAUCET CENTERS
4006-8B	\$2,642.00	8	33-1/8"	12-15/16"	9-1/2"	4-1/8"
4006-9B	\$2,640.00	9	33-1/8"	12-15/16"	9-1/2"	3-1/2"
4006-10B	\$2,930.00	10	33-1/8"	12-15/16"	9-1/2"	3"
4006-12B	\$3,235.00	12	33-1/8"	12-15/16"	9-1/2"	2-3/4"
4006-16B	\$3,959.00	16	44-1/8"	12-15/16"	9-1/2"	2-3/4"
4006-20B	\$4,948.00	20	55-1/8"	12-15/16"	9-1/2"	2-3/4"
* 4006-24B	\$5,210.00	24	71-11/16"	12-15/16"	9-1/2"	3"
* 4006-30B	\$6,152.00	30	89-9/16"	12-15/16"	9-1/2"	3"

POLISHED CHROME						
PART NO.	LIST PRICE	NUMBER OF FAUCETS	OVERALL LENGTH	OVERALL HEIGHT	FAUCET HEIGHT	FAUCET CENTERS
4006-8BPC	\$2,849.00	8	33-1/8"	12-15/16"	9-1/2"	4-1/8"
4006-9BPC	\$2,783.00	9	33-1/8"	12-15/16"	9-1/2"	3-1/2"
4006-10BPC	\$3,128.00	10	33-1/8"	12-15/16"	9-1/2"	3"
4006-12BPC	\$3,421.00	12	33-1/8"	12-15/16"	9-1/2"	2-3/4"
4006-16BPC	\$4,331.00	16	44-1/8"	12-15/16"	9-1/2"	2-3/4"
4006-20BPC	\$5,413.00	20	55-1/8"	12-15/16"	9-1/2"	2-3/4"
* 4006-24BPC	\$5,720.00	24	71-11/16"	12-15/16"	9-1/2"	3"
* 4006-30BPC	\$6,760.00	30	89-9/16"	12-15/16"	9-1/2"	3"

TARNISH-FREE BRASS						
PART NO.	LIST PRICE	NUMBER OF FAUCETS	OVERALL LENGTH	OVERALL HEIGHT	FAUCET HEIGHT	FAUCET CENTERS
4006-8BTF	\$2,714.00	8	33-1/8"	12-15/16"	9-1/2"	4-1/8"
4006-9BTF	\$3,128.00	9	33-1/8"	12-15/16"	9-1/2"	3-1/2"
4006-10BTF	\$3,685.00	10	33-1/8"	12-15/16"	9-1/2"	3"
4006-12BTF	\$4,084.00	12	33-1/8"	12-15/16"	9-1/2"	2-3/4"
4006-16BTF	\$5,022.00	16	44-1/8"	12-15/16"	9-1/2"	2-3/4"
4006-20BTF	\$6,277.00	20	55-1/8"	12-15/16"	9-1/2"	2-3/4"
* 4006-24BTF	\$6,664.00	24	71-11/16"	12-15/16"	9-1/2"	3"
* 4006-30BTF	\$7,893.00	30	89-9/16"	12-15/16"	9-1/2"	3"

\* Triple Base

**WARNING: California Proposition 65 Notice.**  
See page 15 for details.

# GLYCOL COOLED DISPENSING TOWERS

MATCHING OPTIONAL DRIP PAN							
TYPE	4006-8B 4006-8BPC 4006-8BTF	4006-10B 4006-10BPC 4006-10BTF	4006-12B 4006-12BPC 4006-12BTF	4006-16B 4006-16BPC	4006-20B 4006-20BPC	4006-24B 4006-24BPC	4006-30B 4006-30BPC
<b>Top Mount - 5020 Series</b>	5030*	5030*	5030*	5034	5036	5124 (2)	5130 (2)
<b>Top Mount - C18000 Series</b>	C18655*	C18655*	C18655*	C18660	C18665	n/a	n/a
<b>Recessed</b>	58979*	58979*	58979*	69324	69327	n/a	n/a

\* Add "TF" to Drip Pan model number for Tarnish-Free Brass Finish.

\*\*For the Top Mount C18000 Series Drip Pan, these are available with built-in rinser. See page 37.

## EXTRA HIGH BRIDGE TOWERS

To order Bridge Towers which are higher than standard, add suffix number and additional amount to list price for the head selected. For example, to order a ten faucet polished chrome Bridge Tower that is 15-9/16" tall, order part number 4006-10BPC2). See chart below:

SUFFIX NUMBER	ADD TO LIST PRICE	NO. OF FAUCETS	DISPENSING HEAD	ADDITIONAL HEIGHT	OVERALL HEIGHT	FAUCET HEIGHT
2	<b>\$162.00</b>	All	Bridge Tower	2-5/8"	15-9/16"	12-1/8"
4	<b>\$170.00</b>	All	Bridge Tower	3-3/4"	16-11/16"	13-1/4"

**Faucets are sold separately. Please see page 53 for options.**



# GLYCOL COOLED DISPENSING TOWERS

## BRIDGE TOWERS - BACK TO BACK

Features all-metal stainless steel, polished chrome and tarnish-free brass body.



4006-8BX8B

STAINLESS STEEL						
PART NO.	LIST PRICE	NUMBER OF FAUCETS	OVERALL WIDTH	OVERALL HEIGHT	FAUCET HEIGHT	FAUCET CENTERS
4006-8BX8B	\$4,233.00	16	23-15/16"	12-15/16"	9-1/2"	3"
4006-10BX10B	\$4,662.00	20	29-15/16"	12-15/16"	9-1/2"	3"
4006-12BX12B	\$5,121.00	24	35-7/8"	12-15/16"	9-1/2"	3"
4006-16BX16B	\$6,231.00	32	47-13/16"	12-15/16"	9-1/2"	3"
4006-18BX18B	\$7,324.00	36	55-3/4"	12-15/16"	9-1/2"	3"

POLISHED CHROME						
PART NO.	LIST PRICE	NUMBER OF FAUCETS	OVERALL WIDTH	OVERALL HEIGHT	FAUCET HEIGHT	FAUCET CENTERS
4006-8BX8BPC	\$4,624.00	16	23-15/16"	12-15/16"	9-1/2"	3"
4006-10BX10BPC	\$5,108.00	20	29-15/16"	12-15/16"	9-1/2"	3"
4006-12BX12BPC	\$5,624.00	24	35-7/8"	12-15/16"	9-1/2"	3"
4006-16BX16BPC	\$6,859.00	32	47-13/16"	12-15/16"	9-1/2"	3"
4006-18BX18BPC	\$8,051.00	36	55-3/4"	12-15/16"	9-1/2"	3"

TARNISH-FREE BRASS						
PART NO.	LIST PRICE	NUMBER OF FAUCETS	OVERALL WIDTH	OVERALL HEIGHT	FAUCET HEIGHT	FAUCET CENTERS
4006-8BX8BTF	\$5,352.00	16	23-15/16"	12-15/16"	9-1/2"	3"
4006-10BX10BTF	\$5,934.00	20	29-15/16"	12-15/16"	9-1/2"	3"
4006-12BX12BTF	\$6,554.00	24	35-7/8"	12-15/16"	9-1/2"	3"
4006-16BX16BTF	\$8,023.00	32	47-13/16"	12-15/16"	9-1/2"	3"
4006-18BX18BTF	\$9,402.00	36	55-3/4"	12-15/16"	9-1/2"	3"



**WARNING: California Proposition 65 Notice.**  
See page 15 for details.

*Faucets are sold separately. Please see page 53 for options.*

# GLYCOL COOLED DISPENSING TOWERS

MATCHING OPTIONAL DRIP PAN					
TYPE	4006-8BX8B 4006-8BX8BPC 4006-8BX8BTF	4006-10BX10B 4006-10BX10BPC 4006-10BX10BTF	4006-12BX12B 4006-12BX12BPC 4006-12BX12BTF	4006-16BX16B 4006-16BX16BPC 4006-16BX16BTF	4006-18BX18B 4006-18BX18BPC 4006-18BX18BTF
<b>Top Mount - 5020 Series</b>	5028*	5030*	5030*	5034	5036
<b>Top Mount - C18000 Series</b>	C18655A*	C18655A*	C18658	C18663	C18665
<b>Recessed</b>	n/a	n/a	58979*	69330	69333

\* Add "TF" to Drip Pan model number for Tarnish-Free Brass Finish.

\*\*For the Top Mount C18000 Series Drip Pan, these are available with built-in rinser. See page 37.

## EXTRA HIGH BRIDGE TOWER

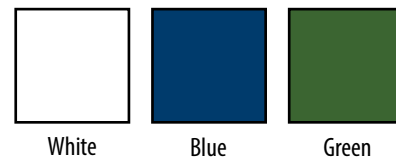
To order Bridge Towers which are higher than standard, add suffix number and additional amount to list price for the head selected. For example, to order a ten faucet polished chrome Bridge Tower that is 15-9/16" tall, order part number 4006-10BPC2, list price \$3,290.00). See chart below:

SUFFIX NUMBER	ADD TO LIST PRICE	NO. OF FAUCETS	DISPENSING HEAD	ADDITIONAL HEIGHT	OVERALL HEIGHT	FAUCET HEIGHT
2	<b>\$162.00</b>	All	Bridge Tower	2-5/8"	12-1/8"	15-9/16"
4	<b>\$170.00</b>	All	Bridge Tower	3-3/4"	13-1/4"	16-11/16"

## TORINO TOWERS with TARNISH-FREE POLISHED BRASS FAUCET COLLAR

Full ceramic body with gold detailing.  
Gold metal collar supports two or three faucets.

PART NO.	LIST PRICE	NO. OF FAUCETS	CERAMIC COLOR	OVERALL HEIGHT	FAUCET HEIGHT
4054WH2B	<b>\$2,837.00</b>	2	White	26-7/8"	16-5/8"
4054WH3B	<b>\$3,093.00</b>	3	White	26-7/8"	16-5/8"
4054BL2B	<b>\$2,837.00</b>	2	Blue	26-7/8"	16-5/8"
4054BL3B	<b>\$3,093.00</b>	3	Blue	26-7/8"	16-5/8"
4054GR2B	<b>\$2,837.00</b>	2	Green	26-7/8"	16-5/8"
4054GR3B	<b>\$3,093.00</b>	3	Green	26-7/8"	16-5/8"



**Faucets are sold separately. Please see page 53 for options.**



# GLYCOL COOLED DISPENSING TOWERS

## BREW PIPE TOWERS - L SHAPE

Features all-metal brushed stainless steel pipe for an industrial look in an "L" shape.



4062-6L

### BEAD BLAST STAINLESS STEEL - LEFT MOUNT

PART NO.	LIST PRICE	NUMBER OF FAUCETS	OVERALL LENGTH	OVERALL HEIGHT	FAUCET HEIGHT	FAUCET CENTERS
4062-6L	\$5,109.00	6	28-3/4"	17-3/4"	13-15/16"	3"
4062-8L	\$5,529.00	8	34-11/16"	17-3/4"	13-15/16"	3"
4062-10L	\$5,949.00	10	40-5/8"	17-3/4"	13-15/16"	3"

### BEAD BLAST STAINLESS STEEL - RIGHT MOUNT

PART NO.	LIST PRICE	NUMBER OF FAUCETS	OVERALL LENGTH	OVERALL HEIGHT	FAUCET HEIGHT	FAUCET CENTERS
4062-6R	\$5,109.00	6	28-3/4"	17-3/4"	13-15/16"	3"
4062-8R	\$5,529.00	8	34-11/16"	17-3/4"	13-15/16"	3"
4062-10R	\$5,949.00	10	40-5/8"	17-3/4"	13-15/16"	3"

### MATCHING OPTIONAL DRIP PAN

4062-6L 4062-6R	4062-8L 4062-8R	4062-10L 4062-10L
C18750-21	C18750-27	C18750-33

### INSTALLATION BOLT KITS

PART NO.	LIST PRICE	DESCRIPTION
4062-3.5	\$44.30	3-1/2" Bolts
4062-4.5	\$63.90	4-1/2" Bolts

## BREW PIPE TOWERS - TEE SHAPE

Features all-metal brushed stainless steel pipe for an industrial look in an "T" shape.



4061-8

### BEAD BLAST STAINLESS STEEL

PART NO.	LIST PRICE	NUMBER OF FAUCETS	OVERALL LENGTH	OVERALL HEIGHT	FAUCET HEIGHT	FAUCET CENTERS
4061-6	\$7,248.00	6	31-5/16"	17-3/4"	13-15/16"	3"
4061-8	\$7,469.00	8	37-5/16"	17-3/4"	13-15/16"	3"
4061-10	\$7,675.00	10	43-1/4"	17-3/4"	13-15/16"	3"
4061-12	\$7,812.00	12	49-1/4"	17-3/4"	13-15/16"	3"
4061-16	\$8,323.00	16	61-1/4"	17-3/4"	13-15/16"	3"

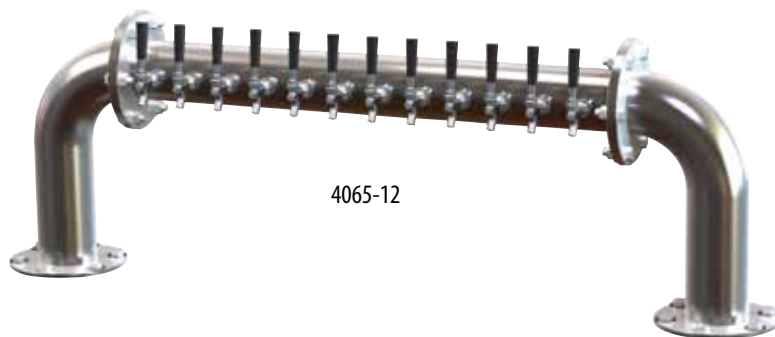
*Installation Bolt Kit Required  
See prices above*

**Faucets are sold separately. Please see page 53 for options.**

# GLYCOL COOLED DISPENSING TOWERS

## BREW PIPE TOWERS - PASS-THRU

Features all-metal brushed stainless steel pipe for an industrial look in a pass-thru style.



4065-12

### BEAD BLAST STAINLESS STEEL - BEER LEADS LEFT

PART NO.	LIST PRICE	NUMBER OF FAUCETS	OVERALL LENGTH	OVERALL HEIGHT	FAUCET HEIGHT	FAUCET CENTERS
4064-6L	\$6,780.00	6	37-5/8"	17-3/4"	13-15/16"	3"
4064-8L	\$7,201.00	8	43-5/8"	17-3/4"	13-15/16"	3"
4064-10L	\$7,620.00	10	49-9/16"	17-3/4"	13-15/16"	3"

### BEAD BLAST STAINLESS STEEL - BEER LEADS RIGHT

PART NO.	LIST PRICE	NUMBER OF FAUCETS	OVERALL LENGTH	OVERALL HEIGHT	FAUCET HEIGHT	FAUCET CENTERS
4064-6R	\$6,780.00	6	37-5/8"	17-3/4"	13-15/16"	3"
4064-8R	\$7,201.00	8	43-5/8"	17-3/4"	13-15/16"	3"
4064-10R	\$7,620.00	10	49-9/16"	17-3/4"	13-15/16"	3"

### BEAD BLAST STAINLESS STEEL - BEER LEADS LEFT AND RIGHT

PART NO.	LIST PRICE	NUMBER OF FAUCETS	OVERALL LENGTH	OVERALL HEIGHT	FAUCET HEIGHT	FAUCET CENTERS
4065-12	\$9,036.00	12	55-9/16"	17-3/4"	13-15/16"	3"
4065-16	\$9,654.00	16	67-7/16"	17-3/4"	13-15/16"	3"
4065-20	\$10,709.00	20	79-7/16"	17-3/4"	13-15/16"	3"

### MATCHING OPTIONAL DRIP PAN

4064-6L 4064-6R	4064-8L 4064-8R	4064-10L 4064-10R	4065-12	4065-16	4065-20
C18750-21	C18750-27	C18750-33	C18750-39	C18750-51	C18750-63

### INSTALLATION BOLT KITS

PART NO.	LIST PRICE	DESCRIPTION
4062-3.5	\$44.30	six 3-1/2" Bolts
4062-4.5	\$63.90	six 4-1/2" Bolts



Customized Brew Pipe Pass-Thru Tower shown.

Contact Perlick for all your custom tower needs.

**Faucets are sold separately. Please see page 53 for options.**



# GLYCOL COOLED DISPENSING TOWERS

## POLISHED CHROME DISPENSING TOWERS

Features brewery pipe style in a polished chrome finish. Concealed mounting hardware for bottom flange allows for easier cleaning. Foamed in place heat exchanger that maintains temperature - prevents "sweating."



4066-6L

CHROME - BEER LEADS LEFT						
PART NO.	LIST PRICE	NO. OF FAUCETS	OVERALL LENGTH	OVERALL HEIGHT	FAUCET HEIGHT	FAUCET CENTERS
4066-6L	\$4,890.00	6	38-1/8"	17-1/2"	13-7/8"	3"
4066-8L	\$5,255.00	8	44-1/8"	17-1/2"	13-7/8"	3"
4066-10L	\$5,619.00	10	50-1/16"	17-1/2"	13-7/8"	3"

CHROME - BEER LEADS RIGHT						
PART NO.	LIST PRICE	NO. OF FAUCETS	OVERALL LENGTH	OVERALL HEIGHT	FAUCET HEIGHT	FAUCET CENTERS
4066-6R	\$4,890.00	6	38-1/8"	17-1/2"	13-7/8"	3"
4066-8R	\$5,255.00	8	44-1/8"	17-1/2"	13-7/8"	3"
4066-10R	\$5,619.00	10	50-1/16"	17-1/2"	13-7/8"	3"

CHROME - BEER LEADS LEFT AND RIGHT						
PART NO.	LIST PRICE	NO. OF FAUCETS	OVERALL LENGTH	OVERALL HEIGHT	FAUCET HEIGHT	FAUCET CENTERS
4066-12	\$5,878.00	12	56-1/16"	17-1/2"	13-7/8"	3"

MATCHING OPTION DRIP PANS			
4066-6L 4055-6R	4066-8L 4066-8R	4066-10L 4066-10R	4066-12
C18750	C18750-27	C18750-33	C18750-39

## PIPE TOWERS- DUAL BASE PASS-THRU

Features polished chrome and tarnish-free brass body.

For NSF-approved Bridge Towers - Add the suffix letter "N" to part number and add \$28.00 list per faucet. (For 4008 only)



4008-6BTF

POLISHED CHROME						
PART NO.	LIST PRICE	FAUCET CENTERS	OVERALL WIDTH	OVERALL HEIGHT	FAUCET HEIGHT	NO. OF FAUCETS
4008-6B	\$4,475.00	4"	38"	14"	10-3/8"	6
4008-8B	\$4,931.00	3-1/4"	38"	14"	10-3/8"	8
4009-10B	\$5,476.00	3-1/4"	46"	14"	10-3/8"	10
4009-12B	\$5,979.00	3"	46"	14"	10-3/8"	12

TARNISH-FREE BRASS						
PART NO.	LIST PRICE	FAUCET CENTERS	OVERALL WIDTH	OVERALL HEIGHT	FAUCET HEIGHT	NO. OF FAUCETS
4008-6BTF	\$5,098.00	4"	38"	14"	10-3/8"	6
4008-8BTF	\$5,555.00	3-1/4"	38"	14"	10-3/8"	8
4009-10BTF	\$6,101.00	3-1/4"	46"	14"	10-3/8"	10
4009-12BTF	\$6,606.00	3"	46"	14"	10-3/8"	12

# With forward sealing faucets, **you'll never look back.**

Perlick's NEW stainless steel, forward sealing faucets are unique in both appearance and function. A revolutionary ball and floating front seal design prevents beer from being exposed to air. As a result, the handle lever doesn't stick, and there is no build up of mold and bacteria in the faucet body. Fewer internal parts means better reliability and fewer service calls.



630SS

- Sanitary 304 stainless steel for all parts that contact product. Protects the flavor of beer and wine.
- A more vertical spout angle provides a better pour and allows superior draining.
- May be cleaned in place - Saves Time and Money.
- Fits standard American shanks.



The 650SS forward sealing flow control faucet allows for at-the-faucet fine tuning to solve difficult to pour challenges such as growlers and samplers.

***The most sanitary beer  
and wine faucets ever!***



650SS  
Flow Control

Exclusively from Perlick

Contact Perlick today to learn more.

perlick.com • 800.558.5592

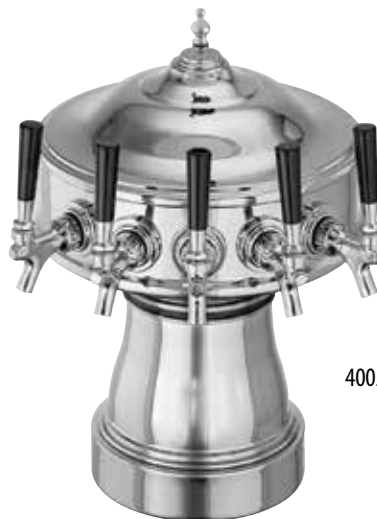


QUALITY & INNOVATION  
THAT **INSPIRES**

# GLYCOL COOLED DISPENSING TOWERS

## GAMBRINUS TOWERS

Also available in back-to-back faucet configuration.



4005-5B

SATIN CHROME				
PART NO.	LIST PRICE	OVERALL HEIGHT	FAUCET HEIGHT	NO. OF FAUCETS
4005-3B	\$5,139.00	19-3/8"	9-7/16"	3
4005-4B	\$5,388.00	19-3/8"	9-7/16"	4
4005-5B	\$5,637.00	19-3/8"	9-7/16"	5
4005-6B	\$5,877.00	19-3/8"	9-7/16"	6
4005D3B	\$5,824.00	19-3/8"	9-7/16"	3/3*
4005D4B	\$6,283.00	19-3/8"	9-7/16"	4/4*

POLISHED CHROME				
PART NO.	LIST PRICE	OVERALL HEIGHT	FAUCET HEIGHT	NO. OF FAUCETS
4005-3BPC	\$4,683.00	19-3/8"	9-7/16"	3
4005-4BPC	\$4,875.00	19-3/8"	9-7/16"	4
4005-5BPC	\$5,078.00	19-3/8"	9-7/16"	5
4005-6BPC	\$5,263.00	19-3/8"	9-7/16"	6
4005D3BPC	\$5,210.00	19-3/8"	9-7/16"	3/3*
4005D4BPC	\$5,570.00	19-3/8"	9-7/16"	4/4*

TARNISH-FREE BRASS				
PART NO.	LIST PRICE	OVERALL HEIGHT	FAUCET HEIGHT	NO. OF FAUCETS
4005-3BTF	\$5,139.00	19-3/8"	9-7/16"	3
4005-4BTF	\$5,388.00	19-3/8"	9-7/16"	4
4005-5BTF	\$5,637.00	19-3/8"	9-7/16"	5
4005-6BTF	\$5,877.00	19-3/8"	9-7/16"	6
4005D3BTF	\$5,824.00	19-3/8"	9-7/16"	3/3*
4005D4BTF	\$6,283.00	19-3/8"	9-7/16"	4/4*

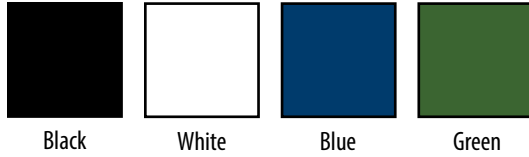
**Faucets are sold separately. Please see page 53 for options.**



# GLYCOL COOLED DISPENSING TOWERS

## ROMA TOWER

Features an all-metal polished chrome or gold-tone body with black, white, blue or green ceramic skirt.



4056WH4BPC

POLISHED CHROME					
PART NO.	LIST PRICE	CERAMIC COLOR	OVERALL HEIGHT	FAUCET HEIGHT	NO. OF FAUCETS
4056BK3BPC	\$2,783.00	Black	20-1/2"	13"	3
4056BK4BPC	\$2,994.00	Black	20-1/2"	13"	4
4056BK5BPC	\$3,208.00	Black	20-1/2"	13"	5
4056WH3BPC	\$2,783.00	White	20-1/2"	13"	3
4056WH4BPC	\$2,994.00	White	20-1/2"	13"	4
4056WH5BPC	\$3,208.00	White	20-1/2"	13"	5
4056BL3BPC	\$2,783.00	Blue	20-1/2"	13"	3
4056BL4BPC	\$2,994.00	Blue	20-1/2"	13"	4
4056BL5BPC	\$3,208.00	Blue	20-1/2"	13"	5
4056GR3BPC	\$2,783.00	Green	20-1/2"	13"	3
4056GR4BPC	\$2,994.00	Green	20-1/2"	13"	4
4056GR5BPC	\$3,208.00	Green	20-1/2"	13"	5

GOLD TONE					
PART NO.	LIST PRICE	CERAMIC COLOR	OVERALL HEIGHT	FAUCET HEIGHT	NO. OF FAUCETS
4056BK3B	\$2,783.00	Black	20-1/2"	13"	3
4056BK4B	\$2,994.00	Black	20-1/2"	13"	4
4056BK5B	\$3,208.00	Black	20-1/2"	13"	5
4056WH3B	\$2,783.00	White	20-1/2"	13"	3
4056WH4B	\$2,994.00	White	20-1/2"	13"	4
4056WH5B	\$3,208.00	White	20-1/2"	13"	5
4056BL3B	\$2,783.00	Blue	20-1/2"	13"	3
4056BL4B	\$2,994.00	Blue	20-1/2"	13"	4
4056BL5B	\$3,208.00	Blue	20-1/2"	13"	5
4056GR3B	\$2,783.00	Green	20-1/2"	13"	3
4056GR4B	\$2,994.00	Green	20-1/2"	13"	4
4056GR5B	\$3,208.00	Green	20-1/2"	13"	5

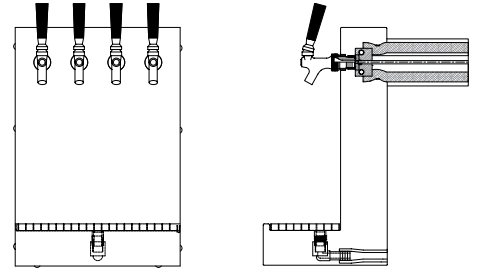
*Faucets are sold separately. Please see page 53 for options.*



# GLYCOL COOLED DISPENSING TOWERS

## 4070 AND 4075 SERIES WALL MOUNT DISPENSING HEADS

These dispensing heads feature an easily removed back panel which is mounted to the wall and a built-in drainer with stainless steel glass rack. Beer line leads exit through the back of the head. Choice of drain tubing out of the back of the head or out the bottom drains in front of the wall. Two faucet holes are plugged on the 2 and 6 faucet heads.



PART NO.	LIST PRICE	FAUCET CENTERS	OVERALL WIDTH	OVERALL HEIGHT	FAUCET HEIGHT	NO. OF FAUCETS
4070A2B	\$1,277.00	8-1/4"	12-5/16"	17-3/4"	10-3/8"	2
4070A4B	\$1,473.00	2-3/4"	12-5/16"	17-3/4"	10-3/8"	4
4075A6B	\$1,702.00	2-3/4"	23"	17-3/4"	10-3/8"	6
4075A8B	\$1,980.00	2-3/4"	23"	17-3/4"	10-3/8"	8

## SPACESAVER UNDERBAR HEADS

Available with lines extending out of the back or bottom of heads.

*NOTE: To order with lead out of the bottom for no additional charge, use suffix BTM. For example, 4040A4B-BTM.*

13" SPACESAVER				
PART NO.	LIST PRICE	FAUCET CENTERS	OVERALL WIDTH	NO. OF FAUCETS
4040A2B	\$1,173.00	8-1/4"	13"	2
4040A3B	\$1,283.00	4-1/8"	13"	3
4040A4B	\$1,516.00	2-3/4"	13"	4



4040A3B

21" SPACESAVER				
PART NO.	LIST PRICE	FAUCET CENTERS	OVERALL WIDTH	NO. OF FAUCETS
4060A2B	\$1,351.00	16-1/2"	21"	2
4060A3B	\$1,421.00	8-1/4"	21"	3
4060A4B	\$1,548.00	5-1/2"	21"	4
4060A5B	\$1,650.00	4-1/8"	21"	5
4060A6B	\$1,835.00	2-3/4"	21"	6
4060A7B	\$1,949.00	2-3/4"	21"	7



4060A4B

UNDERBAR DRIP PANS (FOR SPACESAVER HEADS)		
PART NO.	DESCRIPTION	LIST PRICE
3713	13" Underbar Drainer	\$940.00
3713-1	13" Drainer only	\$534.00
3721	21" Underbar Drainer	\$980.00
3721-1	21" Drainer only	\$604.00



Underbar Drainer

UNDERBAR BEER DRAINER		
PART NO.	DESCRIPTION	LIST PRICE
7055A8	18" x 18-9/16" 4040A Series Space Saver Underbar Heads	\$1,123.00
7055D8	18" x 24" 4040A Series Space Saver Underbar Heads	\$1,229.00
7055A9	24" x 18-9/16" 4060A Series Space Saver Underbar Heads	\$1,218.00

ACCESSORY LEG KIT FOR BEER DRAINER		
PART NO.	DESCRIPTION	LIST PRICE
63262	Pair of Underbar Legs	\$83.50
7055D9	24" Drainer for 6 faucets	\$1,379.00



7055D9

**WARNING: California Proposition 65 Notice.**  
See page 15 for details.

# GLYCOL COOLED DISPENSING TOWERS



## MODULAR WALL MOUNT DISPENSER, GLYCOL COOLED

Features seamless head in any length up to 96" (32 faucets). Faucets located on 3" centers. Beer and glycol leads may exit through the back or bottom. Accessory glass rinser can be added to each glass rack. Easy Installation system - Heavy duty 14 gauge mounting bracket with slotted hole mounts allows anchoring to multiple wall studs along the length of the dispensing head. Black faucet handles not included.

LEADS OUT BACK				
PART NO.	LIST PRICE	OVERALL LENGTH	NO. OF FAUCETS	NO. OF GLASS RACKS
4076BK2	\$1,675.00	9"	2	1
4076BK3	\$1,898.00	9"	3	1
4076BK4	\$2,120.00	12"	4	1
4076BK5	\$2,343.00	15"	5	1
4076BK6	\$2,706.00	18"	6	1
4076BK7	\$2,930.00	21"	7	1
4076BK8	\$3,152.00	24"	8	1
4076BK9	\$3,373.00	27"	9	2
4076BK10	\$3,595.00	30"	10	2
4076BK11	\$3,959.00	33"	11	2
4076BK12	\$4,181.00	36"	12	2
4076BK13	\$4,405.00	39"	13	2
4076BK14	\$4,627.00	42"	14	2
4076BK15	\$4,849.00	45"	15	2
4076BK16	\$5,213.00	48"	16	2
4076BK17	\$5,436.00	51"	17	3
4076BK18	\$5,658.00	54"	18	3
4076BK19	\$5,881.00	57"	19	3
4076BK20	\$6,103.00	60"	20	3
4076BK21	\$6,466.00	63"	21	3
4076BK22	\$6,689.00	66"	22	3
4076BK23	\$6,911.00	69"	23	3
4076BK24	\$7,133.00	72"	24	4
4076BK25	\$7,357.00	75"	25	4
4076BK26	\$7,719.00	78"	26	4
4076BK27	\$7,943.00	81"	27	4
4076BK28	\$8,165.00	84"	28	4
4076BK29	\$8,387.00	87"	29	4
4076BK30	\$8,609.00	90"	30	4
4076BK31	\$8,972.00	93"	31	4
4076BK32	\$9,195.00	96"	32	4

LEADS OUT BOTTOM				
PART NO.	LIST PRICE	OVERALL LENGTH	NO. OF FAUCETS	NO. OF GLASS RACKS
4076DN2	\$1,675.00	9"	2	1
4076DN3	\$1,898.00	9"	3	1
4076DN4	\$2,120.00	12"	4	1
4076DN5	\$2,343.00	15"	5	1
4076DN6	\$2,706.00	18"	6	1
4076DN7	\$2,930.00	21"	7	1
4076DN8	\$3,152.00	24"	8	1
4076DN9	\$3,373.00	27"	9	2
4076DN10	\$3,595.00	30"	10	2
4076DN11	\$3,959.00	33"	11	2
4076DN12	\$4,181.00	36"	12	2
4076DN13	\$4,405.00	39"	13	2
4076DN14	\$4,627.00	42"	14	2
4076DN15	\$4,849.00	45"	15	2
4076DN16	\$5,213.00	48"	16	2
4076DN17	\$5,436.00	51"	17	3
4076DN18	\$5,658.00	54"	18	3
4076DN19	\$5,881.00	57"	19	3
4076DN20	\$6,103.00	60"	20	3
4076DN21	\$6,466.00	63"	21	3
4076DN22	\$6,689.00	66"	22	3
4076DN23	\$6,911.00	69"	23	3
4076DN24	\$7,133.00	72"	24	4
4076DN25	\$7,357.00	75"	25	4
4076DN26	\$7,719.00	78"	26	4
4076DN27	\$7,943.00	81"	27	4
4076DN28	\$8,165.00	84"	28	4
4076DN29	\$8,387.00	87"	29	4
4076DN30	\$8,609.00	90"	30	4
4076DN31	\$8,972.00	93"	31	4
4076DN32	\$9,195.00	96"	32	4

<b>ACCESSORY - GLASS RINSER</b>	4076GR	\$210.00/Each
---------------------------------	--------	---------------

<b>ACCESSORY - GLASS RINSER</b>	4076GR	\$210.00/Each
---------------------------------	--------	---------------

**WARNING: California Proposition 65 Notice.**  
See page 15 for details.







# Getting the beer right isn't *Rocket Science*

## It's **Beer Science**

Scan the code to  
learn more about  
the art and science  
of beer systems.



**Perlick has a proven formula to maximize your beer system performance.**

If someone tells you building a beer system is as easy as 1-2-3, maybe they just don't get Beer Science. Perlick engineers understand beer science and they specialize in creating beer dispensing system solutions. They'll design your one of a kind system based on the unique environment in which it will operate so it performs flawlessly, in perfect balance, from day one. Guaranteed.

*Exclusively from Perlick*

Contact Perlick today to learn more.

[perlick.com](http://perlick.com) • 800.558.5592

**100**   
YEARS OF INNOVATION



# TRUNK HOUSING/ACCESSORIES - CENTURY/ARCTICPOUR SERIES

## BASIC TRUNK HOUSING

Trunk Housings are custom fabricated at the factory for each installation. Beer lines are taped to copper coolant lines, vapor sealed, and encased in an insulated housing. The exterior of the trunk housing bundle is wrapped with black PVC tape to protect the insulation and ease of installation. Order housings with one beer line for each dispensing faucet specified. The exterior of the trunk housing is also available without black PVC tape for Plenum applications.



BASIC TRUNK HOUSING



3/8" Trunk Housings - 3/8" Beverage Barrier Tubing w/two 1/2" copper coolant lines			
ACCUFLEX PART NO.	NO. OF BEER LINES	OVERALL DIAMETER	LIST PRICE (PER FT.)
4220-2	2	3"	\$32.00
4220-4	4	3"	\$35.10
4220-5	5	3-1/2"	\$36.10
4220-6	6	3-1/2"	\$37.10
4220-8	8	3-1/2"	\$43.30
4220-10	10	3-3/4"	\$50.50
4220-12	12	4-1/4"	\$58.80
*4220-16	16	4-3/4"	\$72.10
*4220-20	20	5"	\$80.40
*4220-24	24	5-1/2"	\$86.60

1/4" Trunk Housings - 1/4" Beverage Barrier Tubing w/two 1/2" copper coolant lines			
ACCUFLEX PART NO.	NO. OF BEER LINES	OVERALL DIAMETER	LIST PRICE (PER FT.)
4302-2	2	3"	\$32.00
4302-4	4	3"	\$35.10
4302-5	5	3-1/2"	\$36.10
4302-6	6	3-1/2"	\$37.10
4302-8	8	3-1/2"	\$43.30
4302-10	10	3-3/4"	\$50.50
4302-12	12	4-1/4"	\$58.80
*4302-16	16	4-3/4"	\$72.10
*4302-20	20	5"	\$80.40
*4302-24	24	5-1/2"	\$86.60

5/16" Trunk Housings - 5/16" Beverage Barrier Tubing w/two 1/2" copper coolant lines			
ACCUFLEX PART NO.	NO. OF BEER LINES	OVERALL DIAMETER	LIST PRICE (PER FT.)
4303-2	2	3"	\$32.00
4303-4	4	3"	\$35.10
4303-5	5	3-1/2"	\$36.10
4303-6	6	3-1/2"	\$37.10
4303-8	8	3-1/2"	\$43.30
4303-10	10	3-3/4"	\$50.50
4303-12	12	4-1/4"	\$58.80
*4303-16	16	4-3/4"	\$72.10
*4303-20	20	5"	\$80.40
*4303-24	24	5-1/2"	\$86.60

## ADDITIONAL BEVERAGE LINES

Lines for beverages other than beer can be added to a basic trunk housing. These lines run inside the insulated housing, but are not in contact with the copper coolant lines.

No. of Beer Lines	No. of Additional Beverage Lines					
	P1	P2	P3	P4	P5	P6
2	\$35.10	\$38.20	\$40.20	\$43.30	\$45.40	\$48.50
4	\$39.20	\$42.30	\$44.30	\$46.40	\$49.50	\$51.50
5	\$40.20	\$43.30	\$45.40	\$48.50	\$50.50	\$52.60
6	\$42.30	\$44.30	\$46.40	\$49.50	\$51.50	\$53.60
8	\$49.50	\$51.50	\$53.60	\$55.70	\$57.70	\$59.80
10	\$54.60	\$56.70	\$58.80	\$60.80	\$62.90	\$64.90
12	\$62.90	\$64.90	\$67.00	\$70.10	\$72.10	\$74.20

**Note:** The additional lines must be of the same diameter as the basic trunk housing beer lines.

### Part Number Examples:

**To add (4) 3/8" lines to a 6 Line Trunk Housing:** Part Number = 4220-6P4.

**To add (4) 5/16" lines to a 6 Line Trunk Housing:** Part Number = 4303-6P4.

**To add (4) 1/4" lines to a 6 Line Trunk Housing:** Part Number = 4302-6P4.

\*NOTE: 16, 20 AND 24 line trunk housing are hand wrapped and will not have exterior black tape finish.

# TRUNK HOUSING/ACCESSORIES - CENTURY/ARCTICPOUR SERIES

## TRUNK HOUSING BRANCH CONNECTION

Includes 3 feet of trunk housing. One required for each additional refrigerated dispensing station.

NOTE: ONLY AVAILABLE WITH COPPER TRUNK HOUSING.

PART NO.	DESCRIPTION	LIST PRICE
C23045	Trunk Housing Branch (within 5 ft. of dispensing head end)	\$150.00
C23046	Trunk Housing Branch (more than 5 ft. from dispensing head end)	\$373.00

## SPLICE KIT

For use with all Perlick trunk housing.

PART NO.	DESCRIPTION	LIST PRICE
63181-4	3/8" Splice kit - 4 line housing	\$109.00
63181-6	3/8" Splice kit - 6 line housing	\$144.00
63181-8	3/8" Splice kit - 8 line housing	\$171.00
63181-10	3/8" Splice kit - 10 line housing	\$209.00
63181-12	3/8" Splice kit - 12 line housing	\$229.00
63181-4-312	5/16" Splice kit, 4 Product, 5/16" Tubing	\$107.00
63181-6-312	5/16" Splice kit, 6 Product, 5/16" Tubing	\$140.00
63181-8-312	5/16" Splice kit, 8 Product, 5/16" Tubing	\$168.00
63181-10-312	5/16" Splice kit, 10 Product, 5/16" Tubing	\$203.00
63181-12-312	5/16" Splice kit, 12 Product, 5/16" Tubing	\$225.00
63181-4-25	1/4" Splice kit, 4 Product, 1/4" Tubing	\$102.00
63181-6-25	1/4" Splice kit, 6 Product, 1/4" Tubing	\$133.00
63181-8-25	1/4" Splice kit, 8 Product, 1/4" Tubing	\$160.00
63181-10-25	1/4" Splice kit, 10 Product, 1/4" Tubing	\$194.00
63181-12-25	1/4" Splice kit, 12 Product, 1/4" Tubing	\$215.00

## TRUNK HOUSING TAPE

For use with all Perlick trunk housing.

PART NO.	DESCRIPTION	LIST PRICE
C15393	6 yd. roll - 1/2" filament tape	\$6.20
C15312	60 yd. roll - 1/2" filament tape	\$24.00
C15394	6 yd. roll - 2" clear polytape	\$12.40
C15311	36 yd. roll - clear polytape	\$46.40
C15699	6 yd. roll - 2" black polytape	\$13.40
C15698	36 yd. roll - 2" black polytape	\$52.00

## TRUNK HOUSING ACCESSORIES

For use with all Perlick trunk housing.

PART NO.	DESCRIPTION	LIST PRICE
C31573	Poly housing hanger strap kit	\$62.90
61082-1	Aluminum housing hanger	\$5.40
C3PS	3" Pipe Strap	\$4.20
C4PS	4" Pipe Strap	\$4.20
C15392	Adhesive - 1/2 pint can	\$22.70
63333	Coolant connector kit for old 7/16" trunk, head	\$46.40
C15455-1	Donut sealing gasket	\$6.20
C14230B1	Braided tubing 3/8" - 100 ft. roll	\$119.00

## TRUNK HOUSING W/ WATER RESISTANT

JACKET NOTE: Maximum length that can be ordered is 130 ft.

### 3/8" Jacketed Trunk Housings - 3/8" Beverage Barrier tubing w/ two 1/2" copper coolant lines NSF Component

PART NO.	NO. OF BEER LINES	OVERALL DIAMETER	LIST PRICE (PER FT.)
4220J2	2	3"	\$51.50
4220J4	4	3"	\$55.70
4220J5	5	3-1/2"	\$56.70
4220J6	6	3-1/2"	\$58.80
4220J8	8	3-1/2"	\$63.90
4220J10	10	3-3/4"	\$70.10
4220J12	12	4-1/4"	\$79.40

### 5/16" Jacketed Trunk Housings - 5/16" Beverage Barrier tubing w/ two 1/2" copper coolant lines NSF Component

PART NO.	NO. OF BEER LINES	OVERALL DIAMETER	LIST PRICE (PER FT.)
4303J2	2	3"	\$51.50
4303J4	4	3"	\$55.70
4303J5	5	3-1/2"	\$56.70
4303J6	6	3-1/2"	\$58.80
4303J8	8	3-1/2"	\$63.90
4303J10	10	3-3/4"	\$70.10
4303J12	12	4-1/4"	\$79.40

### 1/4" Jacketed Trunk Housings - 1/4" Beverage Barrier tubing w/ two 1/2" copper coolant lines NSF Component

PART NO.	NO. OF BEER LINES	OVERALL DIAMETER	LIST PRICE (PER FT.)
4302J2	2	3"	\$51.50
4302J4	4	3"	\$55.70
4302J5	5	3-1/2"	\$56.70
4302J6	6	3-1/2"	\$58.80
4302J8	8	3-1/2"	\$63.90
4302J10	10	3-3/4"	\$70.10
4302J12	12	4-1/4"	\$79.40



## SPLIT DECK POWER PAK

Certain situations present unique challenges to serving beer at its optimal temperature. For instance, there might be an excessive heat load or limited space where you need to place your Power Pak, or you might choose to serve macro beers and micro beers at different temperatures. That's why we invented ArcticPOUR. It's the only remote beverage dispensing system that separates the refrigeration deck from the glycol bath – up to 100 feet apart.

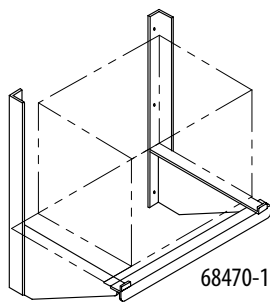
## REFRIGERATION DECKS

PART NO.	DESCRIPTION	LIST PRICE
RD060	3/4 H.P. Refrigeration Deck	<b>\$4,022.00</b>
RD060-C	3/4 H.P. Refrigeration Deck with power cord	<b>\$4,079.00</b>
RD060-O	3/4 H.P. Refrigeration Deck with outdoor package for refrigeration deck.	<b>\$4,440.00</b>
RD120	1-1/2 H.P. Refrigeration Deck	<b>\$6,552.00</b>
RD120-O	1-1/2 H.P. Refrigeration Deck with outdoor package for refrigeration deck.	<b>\$6,969.00</b>

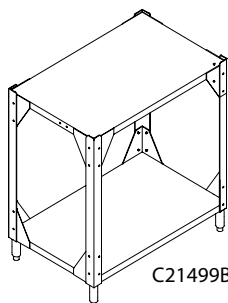


### LOWER YOUR OPERATING COSTS

Separating the refrigeration deck and the glycol bath means you can locate the compressor where it won't have to work as hard to maintain proper beer temperature. This prolongs the life of your compressor and lowers your energy costs.



68470-1



C21499BSS

## ARCTICPOUR STANDS, RACKS AND SHELVES

PART NO.	DESCRIPTION	LIST PRICE
C21499BSS	Stand, 35" x 22"	<b>\$1,008.00</b>
61790	Dual Tiered Rack, 39" x 20-3/4" x 60"	<b>\$1,019.00</b>
61790P1	Triple Tiered Rack, 39" x 20-3/4" x 96"	<b>\$1,570.00</b>
61790P2	Quad Tiered Rack, 39" x 20-3/4" x 132"	<b>\$2,250.00</b>
57782	Legs, set of 4, 6" Nom	<b>\$161.00</b>
68470-1	Wall Shelf, large (RD120)	<b>\$596.00</b>
68470-2	Wall Shelf, small (RD060 or GB)	<b>\$532.00</b>

## MISCELLANEOUS ARCTICPOUR ACCESSORIES

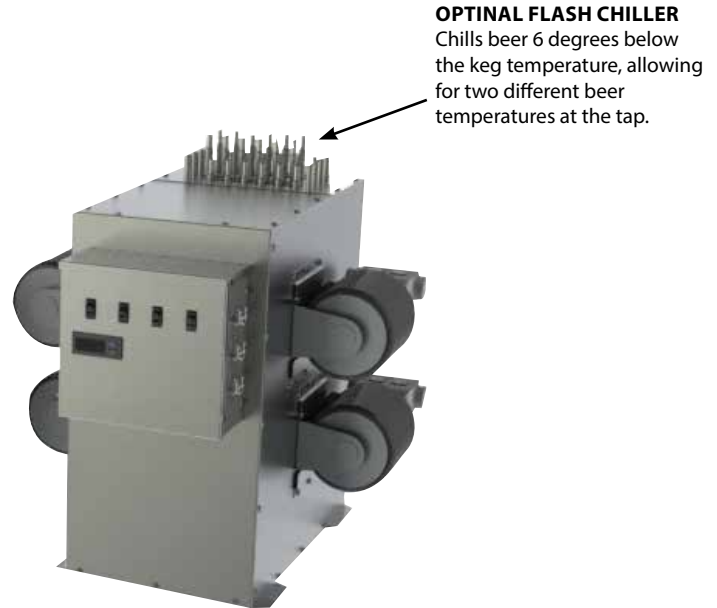
PART NO.	DESCRIPTION	LIST PRICE
67451	Coolant connector parts bag - Refrigeration Deck to Glycol Bath	<b>\$38.40</b>
67451-1	Coolant connector, fabricated, per foot - Refrigeration Deck to Glycol Bath	<b>\$23.70</b>
67451-1-IK	Insulation Kit for 67451-1 Coolant Connector	<b>\$12.40</b>
63299-1	Glycol solution, 1 gal.	<b>\$42.30</b>
68455	Flash Chill Connector Kit	<b>\$451.00</b>
67803	1/2" I.D. SS "U"-Bend	<b>\$16.50</b>
67804	1/2" I.D. SS 90° Elbow	<b>\$16.50</b>
70218	Coolant Connector Kit (per foot)	<b>\$15.50</b>

**GLYCOL BATH OPTIONS**

The ArcticPOUR glycol bath goes inside the beer cooler to keep it away from ambient heat loads. This means the glycol bath doesn't have to work as hard, prolonging its life and further improving its efficiency.

SINGLE PUMP			
w/140 gph Pump		w/140 gph Pump & Power Cord	
PART NO.	LIST PRICE	PART NO.	LIST PRICE
0	GB1	GB1-C	\$3,311.00
1	GB1-1	GB1-C1	\$3,936.00
2	GB1-2	GB1-C2	\$4,562.00
3	GB1-3	GB1-C3	\$5,188.00
4	GB1-4	GB1-C4	\$5,814.00
5	GB1-5	GB1-C5	\$6,440.00
6	GB1-6	GB1-C6	\$7,065.00
7	GB1-7	GB1-C7	\$7,692.00
8	GB1-8	GB1-C8	\$8,316.00
9	GB1-9	GB1-C9	\$8,942.00
10	GB1-10	GB1-C10	\$9,568.00
11	GB1-11	GB1-C11	\$10,193.00
12	GB1-12	GB1-C12	\$10,820.00

NO. OF FLASH CHILLER LINES



**OPTINAL FLASH CHILLER**  
 Chills beer 6 degrees below the keg temperature, allowing for two different beer temperatures at the tap.

DUAL PUMP			
w/ 140 gph Pump & 1-100 gph Aux. Pump		w/ 140 gph Pump & 1-100 gph Aux. Pump, Power Cord	
PART NO.	LIST PRICE	PART NO.	LIST PRICE
0	GB2	GB2-C	\$4,265.00
1	GB2-1	GB2-C1	\$4,891.00
2	GB2-2	GB2-C2	\$5,516.00
3	GB2-3	GB2-C3	\$6,142.00
4	GB2-4	GB2-C4	\$6,768.00
5	GB2-5	GB2-C5	\$7,394.00
6	GB2-6	GB2-C6	\$8,020.00
7	GB2-7	GB2-C7	\$8,645.00
8	GB2-8	GB2-C8	\$9,272.00
9	GB2-9	GB2-C9	\$9,897.00
10	GB2-10	GB2-C10	\$10,523.00
11	GB2-11	GB2-C11	\$11,149.00
12	GB2-12	GB2-C12	\$11,774.00

NO. OF FLASH CHILLER LINES

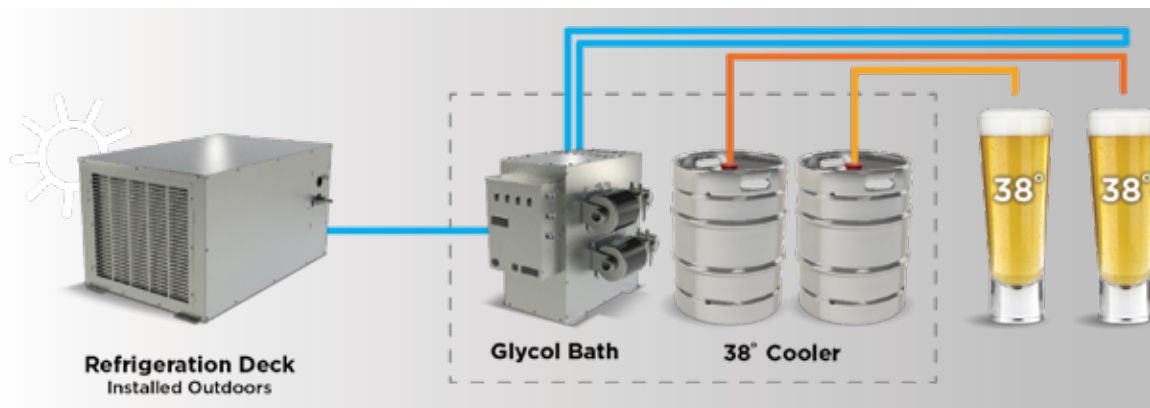
TRIPLE PUMP		QUAD PUMP	
w/140 gph pump & 2-100 gph Aux. Pumps		w/140 gph pump & 3-100 gph Aux. Pumps	
PART NO.	LIST PRICE	PART NO.	LIST PRICE
0	GB3	GB4	\$6,119.00
1	GB3-1	GB4-1	\$6,745.00
2	GB3-2	GB4-2	\$7,370.00
3	GB3-3	GB4-3	\$7,996.00
4	GB3-4	GB4-4	\$8,622.00
5	GB3-5	GB4-5	\$9,248.00
6	GB3-6	GB4-6	\$9,874.00
7	GB3-7	GB4-7	\$10,499.00
8	GB3-8	GB4-8	\$11,126.00
9	GB3-9	GB4-9	\$11,751.00
10	GB3-10	GB4-10	\$12,377.00
11	GB3-11	GB4-11	\$13,003.00
12	GB3-12	GB4-12	\$13,628.00

NO. OF FLASH CHILLER LINES

## ADVANCED REFRIGERATION SOLUTIONS FOR THE TOUGHEST CHALLENGES

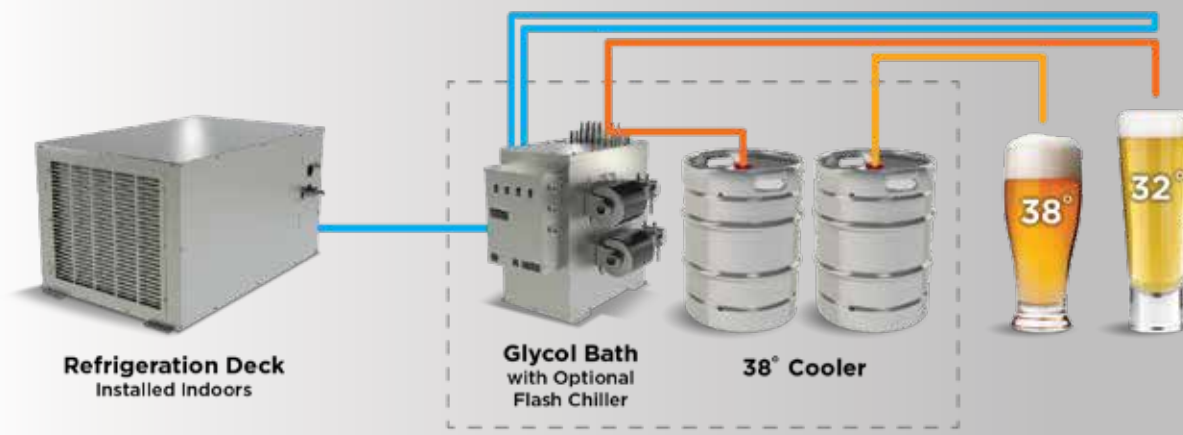
### WHAT TO DO WHEN IT GETS REALLY HOT

Your cooler and Power Pak are in a really hot area, like the kitchen. Higher ambient temperatures cause your glycol chiller to work harder and less efficiently. ArcticPOUR allows you to move the compressor to a cooler location, where it can get proper ventilation — either inside or outside your building — lowering your energy costs and reducing stress on the equipment. The ArcticPOUR glycol bath goes inside the beer cooler away from the ambient kitchen heat so it operates more efficiently, saving energy costs.



### THE MACRO BEER VS. MICRO BEER DILEMMA

Perlick allows you to serve beer at two different temperatures. Some patrons want their macro beers served icy cold, right at 32°F. That's too cold for full-bodied imports and craft beers. ArcticPOUR separates the refrigeration deck and runs the macro beer through the glycol bath with the optional flash chiller. This reduces the temperature of the macro beer by six degrees and keeps both beers at the optimal temperature all the way to the tap — one at 32°F, the other at 38°F.





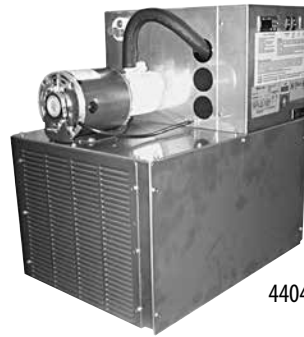
# CENTURY SERIES POWER PAKS / ACCESSORIES

## CENTURY SERIES POWER PAKS - FOR COPPER COOLANT LINES

Optional 1/3, 1/2 and 3/4 HP motors at 115V & 1-1/2 HP at 230V available. Also, 100-gallon per hour glycol pump and stainless steel exterior. Comes with a 6' cord. Available in air or water cooled with multi-pump options.

**NOTE:** The max trunk length for a single 100 gph, 125 psig pump is approximately 600 ft. When using Perlick pre-mixed propylene glycol (63299-1) and Perlick copper coolant trunk housing that incorporates 1/2" O.D. (3/8" I.D.) copper coolant lines.

**NOTE:** Glycol (part # 63299-1) is NOT included. Order two gallons for power pak bath and one gallon every 60 ft. of trunk housing for 12 lines and under or two gallon every 60 ft. of trunk housing for 16, 20 & 24 lines. Century Series power paks used only with copper coolant line trunk housing.



4404

## AIR-COOLED POWER PAKS - FOR COPPER COOLANT LINES

PART NO.	LIST PRICE	H.P.	AMPS	LENGTH	DEPTH	HEIGHT	SHIP (LBS)
4404	<b>\$5,064.00</b>	1/3	15.1	24-1/2"	17-1/4"	25-1/2"	124
4410	<b>\$6,058.00</b>	1/2	15.7	24-1/2"	17-1/4"	25-1/2"	138
4410-2	<b>\$6,906.00</b>	1/2	21.8	24-1/2"	17-1/4"	25-1/2"	150
4414	<b>\$6,773.00</b>	3/4	17.1	24-1/2"	17-1/4"	31"	167
4414-2	<b>\$7,643.00</b>	3/4	22.7	24-1/2"	17-1/4"	31"	180
4414-230	<b>\$7,718.00</b>	3/4	10.5	26-3/4"	20-1/4"	31"	174
4414-230-2	<b>\$8,634.00</b>	3/4	13.3	26-3/4"	20-1/4"	31"	190
4414-230-3	<b>\$9,548.00</b>	3/4	16.1	26-3/4"	20-1/4"	31"	205
4420	<b>\$9,178.00</b>	1-1/2	21.9	26-3/4"	20-1/4"	31"	217
4420-2	<b>\$10,092.00</b>	1-1/2	24.7	26-3/4"	20-1/4"	31"	230
4420-3	<b>\$11,006.00</b>	1-1/2	27.5	26-3/4"	20-1/4"	31"	245

## WATER-COOLED POWER PAKS - FOR COPPER COOLANT LINES

PART NO.	LIST PRICE	BTU	H.P.	AMPS	LENGTH	DEPTH	HEIGHT	SHIP (LBS)
4410W	<b>\$7,375.00</b>	3672	1/2	17.1	24-1/2"	17-1/4"	25-1/2"	136
4410W-2	<b>\$8,224.00</b>	3672	1/2	23.2	24-1/2"	17-1/4"	25-1/2"	150
4414W	<b>\$8,571.00</b>	6527	3/4	17.4	24-1/2"	17-1/4"	31"	176
4414W-2	<b>\$9,440.00</b>	6527	3/4	23.0	26-3/4"	20-1/4"	31"	190
4414W-3	<b>\$10,311.00</b>	6527	3/4	28.6	26-3/4"	20-1/4"	31"	205
4420W	<b>\$10,804.00</b>	13,100	1-1/2	20.8	26-3/4"	20-1/4"	31"	219
4420W-2	<b>\$11,718.00</b>	13,100	1-1/2	23.6	26-3/4"	20-1/4"	31"	235
4420W-3	<b>\$12,631.00</b>	13,100	1-1/2	26.4	26-3/4"	20-1/4"	31"	250

**NOTE:** Water-cooled Power Paks are made to order; contact Perlick for lead time.



# CENTURY GLYCOL SYSTEM ACCESSORIES

## COOLANT CONNECTOR KIT FOR CENTURY SERIES

Includes 1-5/8" I.D. insulation and coolant tubing.

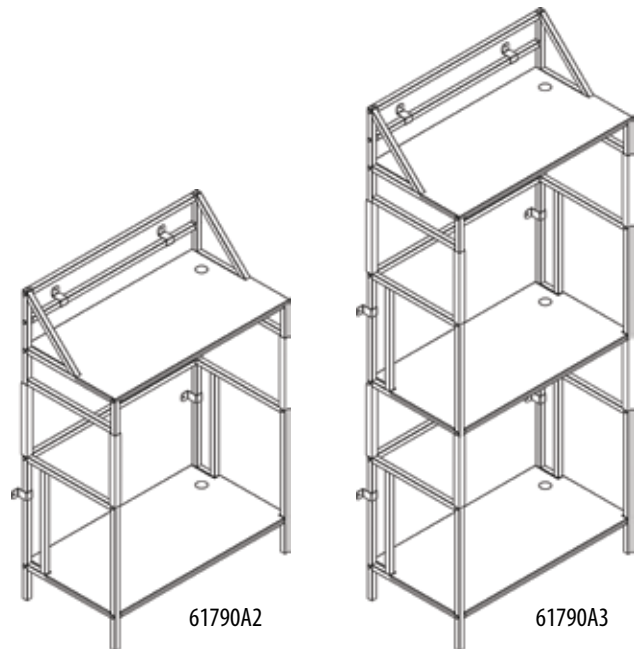
PART NO.	DESCRIPTION	LIST PRICE
67803	1/2" I.D. SS "U"-Bend	\$16.50
67804	1/2" I.D. SS 90° Elbow	\$16.50
70218	Coolant Connector Kit (per foot)	\$15.50
63335-BFP	Coolant back flow preventer kit*	\$688.00

\*Use for vertical lifts over 30' to prevent power pak tank overflow.

## STACKING MODULAR EQUIPMENT RACKS

Heavy-duty gauge steel. Durable black powder coat with a solid aluminum or galvanized shelf. Six-inch legs. 36" wide and 20-3/4" deep. Includes square connecting sleeves and wall brackets for units stacked up to four high. Easy to assemble.

PART NO.	DESCRIPTION	HEIGHTS	LIST PRICE
61790A2	Dual Tier	60"	\$1,054.00
61790A3	Triple Tier	96"	\$1,624.00



## GLYCOL

All Power Paks require 2 gallons of glycol for bath and 1 additional gallon for every 60 ft. of trunk housing.

PART NO.	DESCRIPTION	LIST PRICE
63299-1	Glycol premix food grade - 1 gallon	\$42.30

## MISCELLANEOUS POWER PAK ACCESSORIES

PART NO.	DESCRIPTION	LIST PRICE
61468	Overflow bottle kit	\$30.90
C22296A-20	Cord kit (20 amp. max) - for 4404, 4410 and 4414 single pump only	\$36.10
57782	Legs for Power Pak	\$161.00
54838	Water hammer arrestor	\$105.00

## POWER PAK WALL MOUNTING BRACKETS

PART NO.	DESCRIPTION	HEIGHTS	LIST PRICE
4408SS	For 1/3 and 1/2 HP power paks	39"-40"	\$208.00

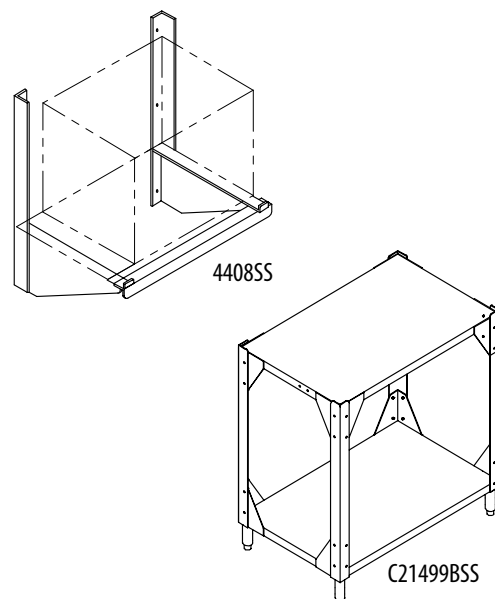
## STAINLESS STEEL POWER PAK STAND

PART NO.	DESCRIPTION	HEIGHTS	LIST PRICE
C21499BSS	Stand	39"-40"	\$1,008.00

## SECOND YEAR EXTENDED PARTS AND LABOR WARRANTY

Extends one year parts and labor warranty to two years.

PART NO.	DESCRIPTION	LIST PRICE
730G	Second year parts and labor warranty	\$203.00



## MCDANTIM'S TRUMIX CO<sub>2</sub>-NITROGEN BLENDER

An extremely accurate CO<sub>2</sub>-Nitrogen Blender. Available in single or double blend. Unit preset at the factory. Provided with shut offs and 3/8" barb connections at all inlets and outlets.



PART NO.	DESCRIPTION	LIST PRICE
----------	-------------	------------

### MAXIMUM OF 7 KEG PER HOUR CAP.

69900S70	Single Blend 70% CO <sub>2</sub> - 30% Nitrogen - 70 PSIG	<b>\$1,745.00</b>
69900S60	Single Blend 60% CO <sub>2</sub> - 40% Nitrogen - 70 PSIG	<b>\$1,745.00</b>
69900S50	Single Blend 50% CO <sub>2</sub> - 50% Nitrogen - 70 PSIG	<b>\$1,745.00</b>
69900S25	Single Blend 25% CO <sub>2</sub> - 75% Nitrogen - 70 PSIG	<b>\$1,745.00</b>

### MAXIMUM OF 7 KEGS PER HOUR CAP.

69900D7025	Double Blend 70% CO <sub>2</sub> - 30% Nitrogen 25% CO <sub>2</sub> - 75% Nitrogen - 70 PSIG	<b>\$2,546.00</b>
69900D6025	Double Blend 60% CO <sub>2</sub> - 40% Nitrogen 25% CO <sub>2</sub> - 75% Nitrogen - 70 PSIG	<b>\$2,546.00</b>
69900D5025	Double Blend 50% CO <sub>2</sub> - 50% Nitrogen 25% CO <sub>2</sub> - 75% Nitrogen - 70 PSIG	<b>\$2,546.00</b>

### MAXIMUM OF 26 KEGS PER HOUR CAP.

69900S70HV	Single Blend 70% CO <sub>2</sub> - 30% Nitrogen, 70-PSIG High Volume - 70 PSIG	<b>\$2,213.00</b>
69900S60HV	Single Blend 60% CO <sub>2</sub> - 40% Nitrogen, 70-PSIG High Volume - 70 PSIG	<b>\$2,213.00</b>
69900S50HV	Single Blend 50% CO <sub>2</sub> - 50% Nitrogen, 70-PSIG High Volume - 70 PSIG	<b>\$2,213.00</b>

### MAXIMUM OF 60 KEGS PER HOUR CAP.

69900S70SA	Single Blend 70% CO <sub>2</sub> - 30% Nitrogen, 110-PSIG Stadium Application - 110 PSIG	<b>\$2,765.00</b>
69900S60SA	Single Blend 60% CO <sub>2</sub> - 40% Nitrogen, 110-PSIG Stadium Application - 110 PSIG	<b>\$2,765.00</b>
69900S50SA	Single Blend 50% CO <sub>2</sub> - 50% Nitrogen, 110-PSIG Stadium Application - 110 PSIG	<b>\$2,765.00</b>

### MAXIMUM OF 180 KEGS PER HOUR CAP.

69900S70SAP	Single Blend 70% CO <sub>2</sub> - 30% Nitrogen, 120-PSIG Stadium Application Plus - 120 PSIG	<b>\$4,453.00</b>
69900S60SAP	Single Blend 60% CO <sub>2</sub> - 40% Nitrogen, Stadium 120-PSIG Application Plus - 120 PSIG	<b>\$4,453.00</b>
69900S50SAP	Single Blend 50% CO <sub>2</sub> - 50% Nitrogen, Stadium 120-PSIG Application Plus - 120 PSIG	<b>\$4,453.00</b>

## BEER BLAST NITROGEN GENERATOR

Four models to choose from. All models dispense 7 kegs per hour. All models include Nitrogen generator, 30 gallon nitrogen storage tank, wall mount bracket for Nitrogen generator and leak detection. UL listed. On board PLC system that monitors timing, maintenance, runtime, leak detection and other proprietary items. Includes 3/8" barb package for all outlets. Unit weight - 93 lbs. Dimensions 12.5" W x 10" D x 29.5" H



Model N2G7 may be purchased without a blender or with one of 3 double blender options:

- 70% Co<sub>2</sub>/30% Nitrogen & 25% Co<sub>2</sub>/75% Nitrogen
- 60% Co<sub>2</sub>/40% Nitrogen & 25% Co<sub>2</sub>/75% Nitrogen
- 50% Co<sub>2</sub>/50% Nitrogen & 25% Co<sub>2</sub>/75% Nitrogen

*60/40 blend for lager beers and 25/75 for Guinness, Boddington, etc.*

PART NO.	DESCRIPTION	LIST PRICE
N2G7	Nitrogen Generator - 7 kegs/hr - No Blender	<b>\$12,605.00</b>
N2G7DB7025	Nitrogen Generator - 7 kegs/hr - w/ Dbl Blender 70/30 - 25/75	<b>\$14,377.00</b>
N2G7DB6025	Nitrogen Generator - 7 kegs/hr - w/ Dbl Blender 60/40 - 25/75	<b>\$14,377.00</b>
N2G7DB5025	Nitrogen Generator - 7 kegs/hr - w/ Dbl Blender 50/50 - 25/75	<b>\$14,377.00</b>
70216	Wall to Floor Mounting Bracket for N2G7 Series Only.	<b>\$438.00</b>

PART NO.	DESCRIPTION	LIST PRICE
N2G14	Nitrogen Generator w/separate compressor - 14 kegs/hr - No Blender	<b>\$21,544.00</b>
N2G26	Nitrogen Generator w/separate compressor - 26 kegs/hr - No Blender	<b>\$39,022.00</b>
N2G60	Nitrogen Generator w/separate compressor - 60 kegs/hr - No Blender	<b>\$52,679.00</b>
N2G125	Nitrogen Generator w/separate compressor - 125 kegs/hr - No Blender	<b>\$61,030.00</b>
N2G180	Nitrogen Generator w/separate compressor - 180 kegs/hr - No Blender	<b>\$93,727.00</b>

# BEER PUMP PANEL KITS / ACCESSORIES

## BEER PUMP PANEL KITS

Each kit includes a Beer Pump Panel, factory installed FOB's, shut-off device, air hose, beer connector(s), CO2 vent kit and all the fittings necessary to connect the gas system and the product lines in the walk-in cooler. Exclusive back flush feature allows cleaning solution to be pumped from faucet to coupler.



BPPKFC2L

- Factory installed FEX0208 FOB's come standard with a 304SS, 90 degree elbow, 3/8" barbed-tailpiece. Allows for easier routing of beer lines and a cleaner looking installation.
- Accessory tailpieces are available to directly connect 5/16" and 1/4" beverage lines, eliminating additional adapters, splices and clamps.
- Panels are pre-drilled for mounting 2-way and 3-way Perlick manifolds.
- The panel size and layout of the components has been optimized for maximum accessibility to simplify installation.

### \*LOCKING REGULATOR FLOJET BEER PUMP PANEL WITH FACTORY INSTALLED FOB DETECTOR AND COUPLER

PART NO.	DESCRIPTION	LIST PRICE
BPPKFC1L	Single	\$1,196.00
BPPKFC2L	Dual	\$2,147.00
BPPKFC3L	Three-way	\$3,003.00
BPPKFC4L	Four-way	\$3,854.00

### \*NON-LOCKING REGULATOR FLOJET BEER PUMP PANEL WITH FACTORY INSTALLED FOB DETECTOR AND COUPLER

PART NO.	DESCRIPTION	LIST PRICE
BPPKFC1	Single	\$1,192.00
BPPKFC2	Dual	\$2,091.00
BPPKFC3	Three-way	\$2,948.00
BPPKFC4	Four-way	\$3,798.00

## Engineered Air-Cooled Century Beer Systems

If your beer cooler can maintain temperatures between 34°F and 38°F and you pour close to the cooler, a Perlick-installed air-cooled system might be right for you. Air-cooled systems use the already-cold air inside your beer cooler to maintain proper beer temperature all the way to the faucet. Because there's no power pack needed to chill glycol lines, air-cooled systems use less energy and cost less to install and maintain.

### Air-Cooled System Options:

#### Through-The-Wall Tapping

- Running taps directly through the cooler wall is the simplest and most cost-effective way to serve a wide beer selection.
- A Perlick Through The Wall Tapping Kit includes everything an installer needs to run beer through the cooler wall.
- Faucets sold separately - The customer gets to select from the entire Perlick Forward Sealing Faucet offering.
- Select the perfect Shank Kit for your project based on the thickness of the wall.



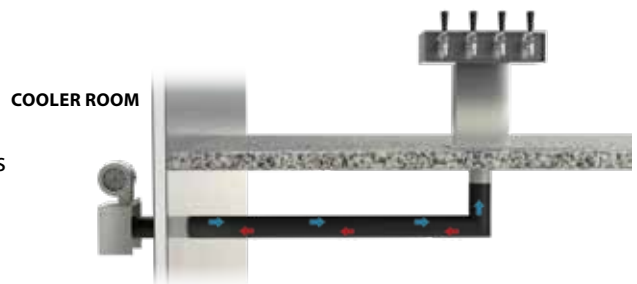
#### Modular Wall Mount Dispenser

- Features seamless head in any length up to 96" (32 faucets).
- Faucets sold separately - The customer gets to select from the entire Perlick Forward Sealing Faucet offering.
- Faucets shanks are 3" on center.
- Beer leads exit through the back.
- Accessory glass rinser can be added to each glass rack.
- Easy Installation System - Heavy duty, 14-gauge mounting bracket with slotted hole mounts allows anchoring to multiple wall studs along the length of the dispensing head.
- Air Inlet & Air Outlet provide balanced air flow.



#### Dual-Duct Air Shaft System

- A dual-duct air shaft is a cost-effective dispensing system and runs 25 feet or less.
- A blower mounted inside the cooler pushes cold air through one duct and returns it to the cooler in a second duct.
- The air shaft can hold up to a maximum of six product lines, and can accommodate wall-mounted and counter-mounted dispensing heads.





# THROUGH-THE-WALL TAPPING

## COOLER TAPPING PRODUCTS

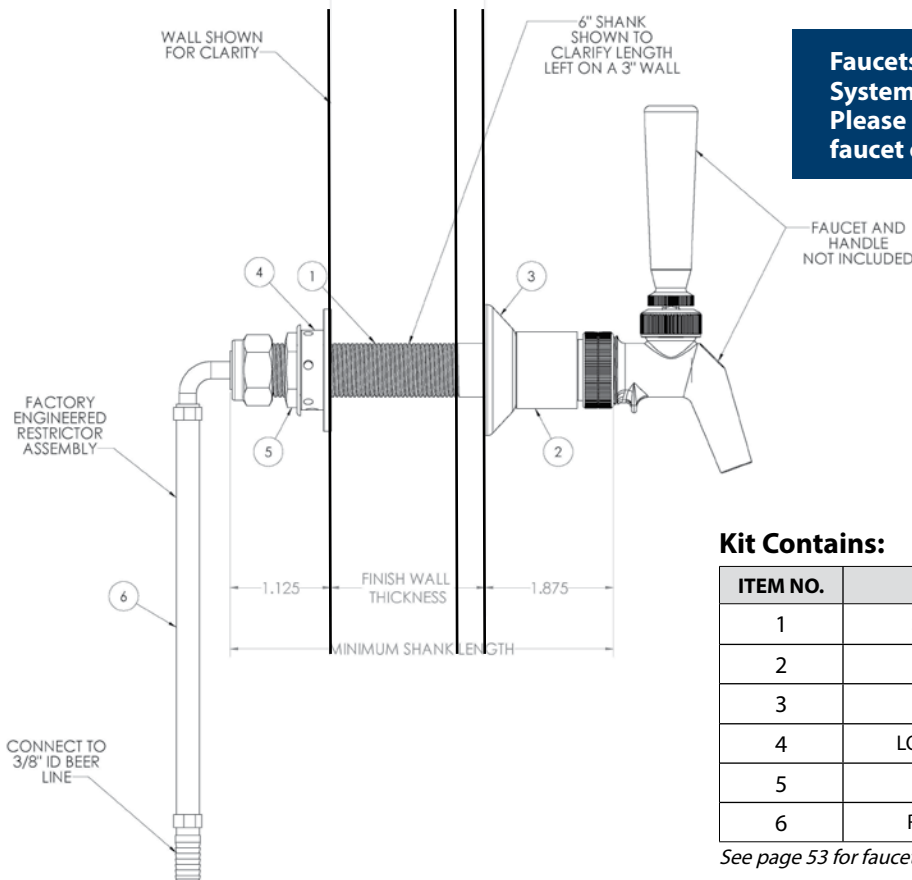
Dispensing Beer through the Cooler Wall

### SHANK KITS (ONE PER FAUCET. FAUCET NOT INCLUDED.)

PART NO.	DESCRIPTION	LIST PRICE
<b>0" to 1" Wall Thickness</b>		
70027A4	4"Through the wall shank kit for walls 0" to 1" thick.	<b>\$264.00</b>
<b>1" to 3" Wall Thickness</b>		
70027A6	6"Through the wall shank kit for walls 1" to 3" thick.	<b>\$273.00</b>
<b>3" to 5" Wall Thickness</b>		
70027A8	8"Through the wall shank Kit for walls 3" to 5" thick.	<b>\$288.00</b>
<b>5" to 7" Wall Thickness</b>		
70027A10	10"Through the wall shank kit for walls 5" to 7" thick.	<b>\$320.00</b>
<b>7" to 9" Wall Thickness</b>		
70027A12	12"Through the wall shank kit for walls 7" to 9" thick.	<b>\$336.00</b>
<b>Accessories</b>		
63000A1	3/8" ID Barrier Tubing (100 ft roll)	<b>\$0.90/ft</b>
C33037	One ear stepless clamp. Clamp No. 140. .453-.551 range.	<b>\$0.95</b>



**Faucets for Air-Cooled Century Systems are ordered separately. Please see page 53 for available faucet options.**



#### Kit Contains:

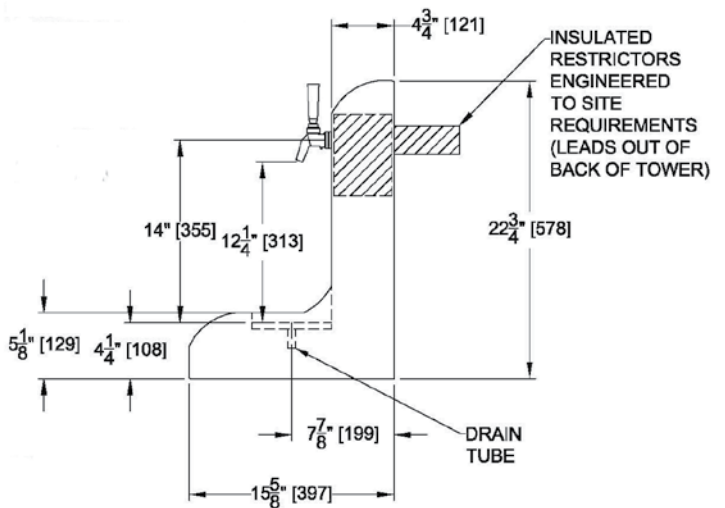
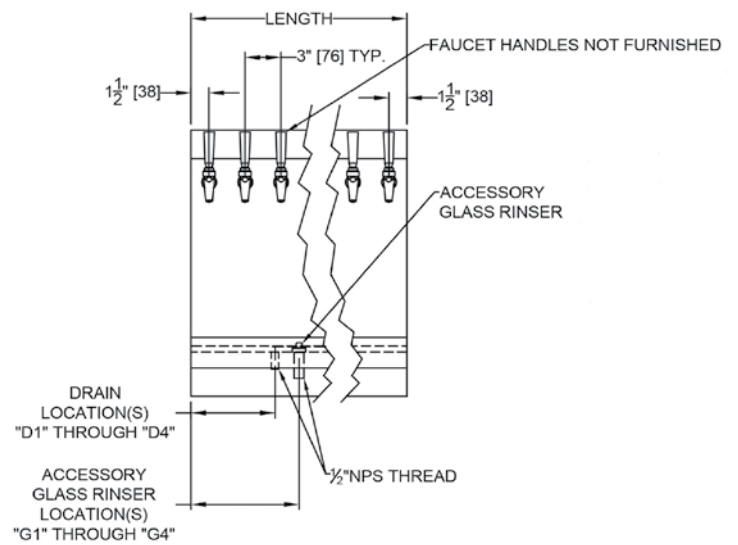
ITEM NO.	DESCRIPTION	QTY.
1	SHANK ASSEMBLY, CHROME	1
2	SHANK COVER, CHROME	1
3	WALL FLANGE, BLACK	1
4	LOCKING FLANGE, BEER SHANK	1
5	LOCK NUT	1
6	RESTRICTOR TUBE ASSEMBLY	1

See page 53 for faucet options.

# MODULAR WALL MOUNT DISPENSER

## MODULAR WALL MOUNT DISPENSER, AIR COOLED

PART NO.	LIST PRICE	OVERALL LENGTH	NO. OF FAUCETS	NO. OF GLASS RACKS
3076-6	\$5,020.00	18"	6	1
3076-7	\$5,191.00	21"	7	1
3076-8	\$5,363.00	24"	8	1
3076-9	\$5,534.00	27"	9	2
3076-10	\$5,704.00	30"	10	2
3076-11	\$5,875.00	33"	11	2
3076-12	\$6,477.00	36"	12	2
3076-13	\$6,991.00	39"	13	2
3076-14	\$7,506.00	42"	14	2
3076-15	\$8,020.00	45"	15	2
3076-16	\$8,533.00	48"	16	2
3076-17	\$9,048.00	51"	17	3
3076-18	\$9,561.00	54"	18	3
3076-19	\$9,755.00	57"	19	3
3076-20	\$9,950.00	60"	20	3
3076-21	\$10,144.00	63"	21	3
3076-22	\$10,338.00	66"	22	3
3076-23	\$10,532.00	69"	23	3
3076-24	\$10,726.00	72"	24	4
3076-25	\$10,889.00	75"	25	4
3076-26	\$11,050.00	78"	26	4
3076-27	\$11,212.00	81"	27	4
3076-28	\$11,374.00	84"	28	4
3076-29	\$11,536.00	87"	29	4
3076-30	\$11,697.00	90"	30	4
3076-31	\$11,860.00	93"	31	4
3076-32	\$12,022.00	96"	32	4



Faucets for Air-Cooled Century Systems are ordered separately. Please see page 53 for available faucet options.

**WARNING: California Proposition 65 Notice.**  
See page 15 for details.

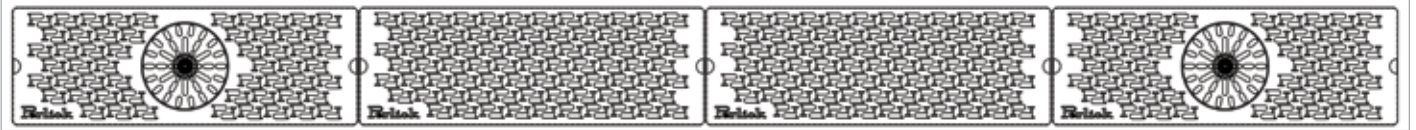


# MODULAR WALL MOUNT DISPENSER

## MODULAR WALL MOUNT DISPENSER (information continued)

### ACCESSORIES

<b>GLASS RINSER - (M)</b>	<b>\$210.00/Each</b>	Using the guide below, determine the number of Glass Racks. A "Glass Rinser" can be optionally located in the middle of each glass rack. Use an "M" to include a Glass Rinser or an "X" to designate NO Glass Rinser.
<b>WATER PRESSURE REGULATOR KIT (GR-1K)</b>	<b>\$80.40/Each</b>	Water pressure regulator parts bag for rinser.



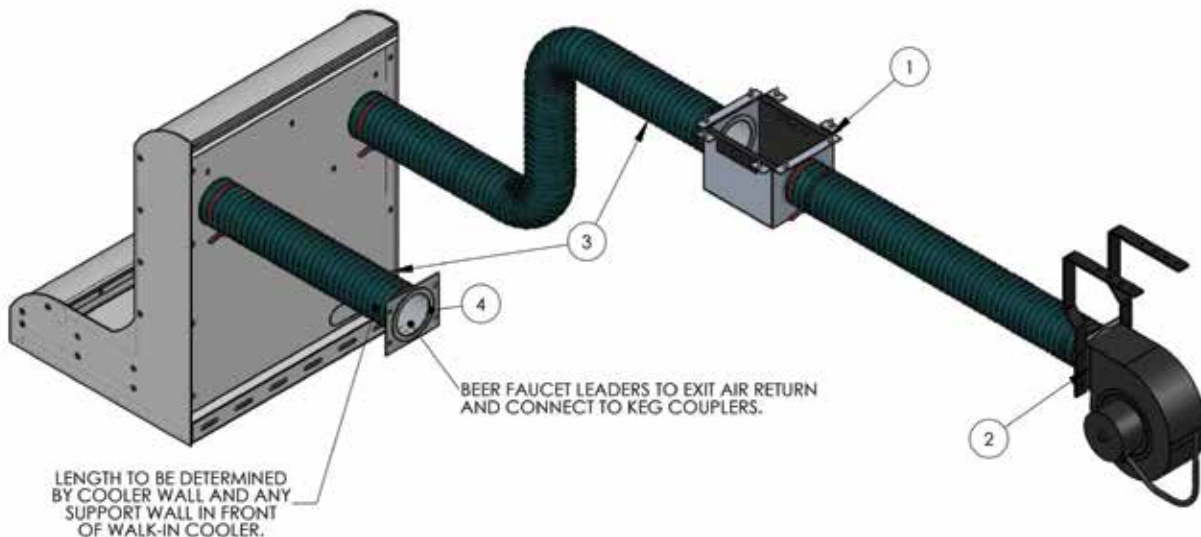
Example Glass Rinser Locations: **MXXM**

Model Number Key: **3076** # of Faucets **M** or **X** (Glass Rinser Options)

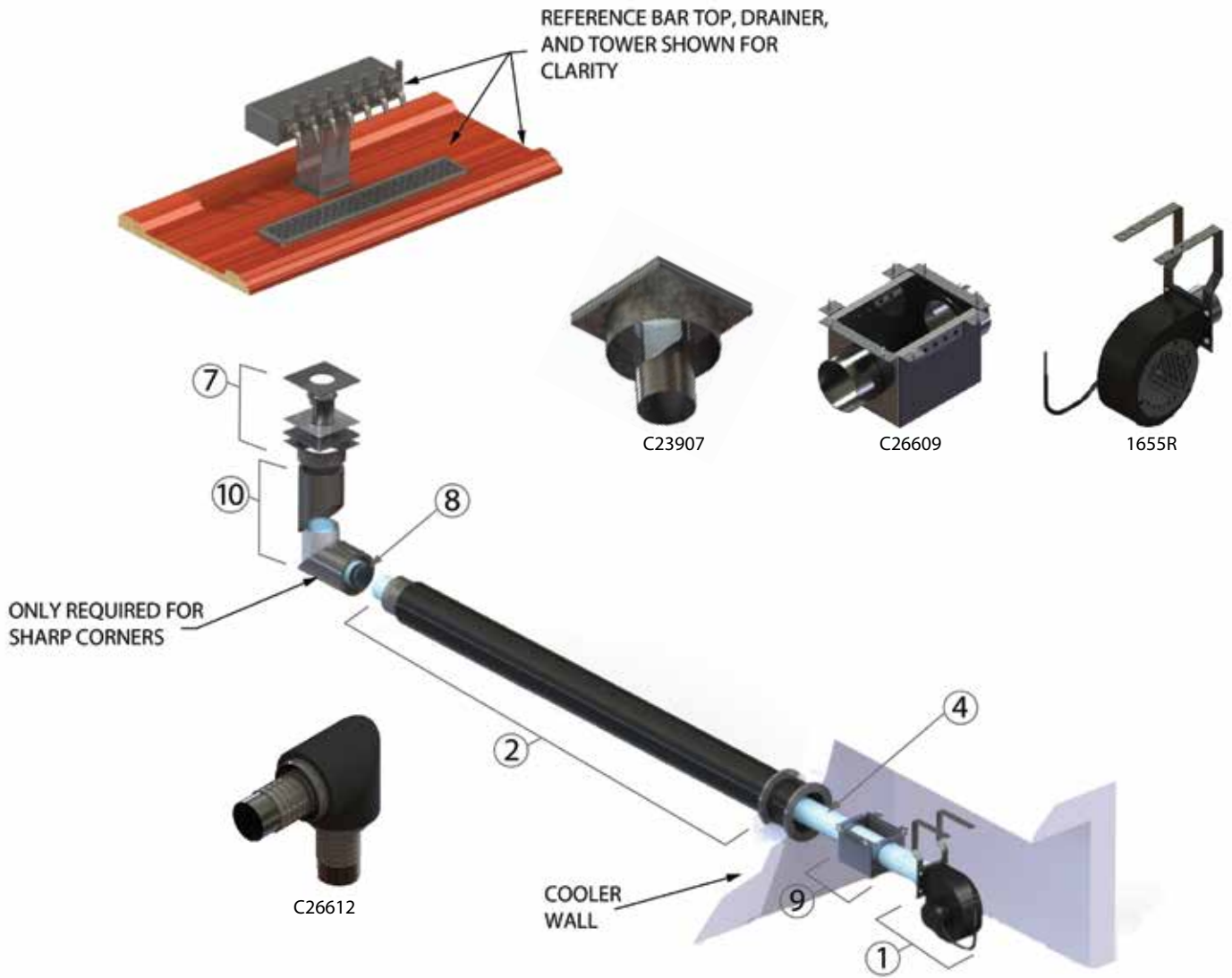
EXAMPLES	DESCRIPTION
<b>3076-30MXXM</b>	Wall Mount Head, Leads Out the Back, 30 Faucets, Glass Rinser in Rack 1, No Rinser in Racks 2 & 3, Rinser in Rack 4
<b>3076-6X</b>	Wall Mount Head, Leads Out the Back, 6 Faucets, No Glass Rinser

### MODULAR WALL MOUNT DISPENSER ACCESSORIES

	PART NO.	DESCRIPTION	LIST PRICE
1	C26609	Wall Mounted Air Shaft Connector, Cooler (1 required)	<b>\$267.00</b>
2	1655R	Blower Kit, 134 CFM	<b>\$513.00</b>
3	C15365-1	3" Hose duct, blower to air shaft inside cooler - 12.5 feet	<b>\$322.00</b>
	C15365-2	3" Hose duct, blower to air shaft inside cooler - 25 feet	<b>\$524.00</b>
4	C24715A	Hose Adaptor Assembly - 3"	<b>\$77.30</b>
5	C15366-1	Coupling Sleeve for 3" air shaft tube (1 required when joining two 12" sections)	<b>\$33.00</b>
6	C31573	Poly housing hanger strap kit	<b>\$62.90</b>
7	61082-1	Aluminum housing hanger	<b>\$5.40</b>
8	63000A1	3/8" ID Barrier Tubing (100ft roll)	<b>\$0.85/ft</b>
9	C33037	One ear stepless clamp. Clamp No. 140. .453-.551 range.	<b>\$0.95</b>



# DUAL AIR SHAFT SYSTEM PARTS



## DUAL AIR SHAFT PARTS

	PART NO.	DESCRIPTION	LIST PRICE
1	1655R	Blower Kit, 134 CFM	\$513.00
2	3820-12	Dual Air Shaft, 12' long	\$926.00
	3820-24	Dual Air Shaft, 24' long	\$1,473.00
3	63000A1	3/8" ID Barrier Tubing (100ft roll)	\$0.85
4	C15365-1	3" Hose duct, blower to air shaft inside cooler (sold in 12.5' lengths)	\$322.00
	C15365-2	3" Hose duct, blower to air shaft inside cooler (sold in 25' lengths)	\$524.00
5	C15366-1	Coupling Sleeve for 3" air shaft tube (1 required when joining two 12" sections)	\$33.00
6	C15392	Adhesive for insulation (required when joining two 12' sections)	\$22.70
7	C23907	Mounting collar for dispensing head	\$377.00
8	C24459-1	Coupling Sleeve for 4-1/2" air shaft tube (1 required when joining two 12" sections)	\$257.00
9	C26609	Wall Mounted Air Shaft Connector, Cooler (1 required)	\$267.00
10	C26612	90° Insulated Elbow Assembly	\$475.00
11	C31573	Poly housing hanger strap kit	\$62.90
12	61082-1	Aluminum housing hanger	\$5.40
13	C33037	One ear stepless clamp. Clamp No. 140. .453-.551 range.	\$0.95



# TOWERS FOR AIR COOLED, AIR SHAFT DISPENSING SYSTEM

## DRAFT ARMS 3" O.D.

Available with polished chrome or tarnish-free brass body.

POLISHED CHROME				
PART NO.	LIST PRICE	OVERALL HEIGHT	FAUCET HEIGHT	NO. OF FAUCETS
EA2100-1	\$399.00	12-3/4"	9-1/2"	1
EA2100-2	\$523.00	12-3/4"	9-1/2"	2
*EA2100-3	\$732.00	13-3/4"	10-1/2"	3



EA2100-1

TARNISH-FREE BRASS				
PART NO.	LIST PRICE	OVERALL HEIGHT	FAUCET HEIGHT	NO. OF FAUCETS
EA2100-1TF	\$555.00	12-3/4"	9-1/2"	1
EA2100-2TF	\$886.00	12-3/4"	9-1/2"	2
*EA2100-3TF	\$1,076.00	13-3/4"	10-1/2"	3



EA2100-2



\*EA2100-3

\*Faucet height of center faucet is 9-1/8" on draft arms with three faucets.

## EXTRA HIGH DRAFT ARMS - 3" O.D.

To order 3" O.D. draft arms one or three inches higher than standard listed above, add suffix number and additional amount to the list price for the head selected. For example, to order a one faucet draft arm that is 13-3/4" tall, order part number EA2100-1-2. See chart below:

SUFFIX NUMBER	ADD TO LIST PRICE	NO. OF FAUCETS	DISPENSING HEAD	ADDITIONAL HEIGHT	OVERALL HEIGHT	FAUCET HEIGHT
2	\$61.00	1	3" O.D. Draft Arm	1"	13-3/4"	10-1/2"
4	\$114.00	1	3" O.D. Draft Arm	3"	15-3/4"	12-1/2"
2	\$61.00	2	3" O.D. Draft Arm	1"	13-3/4"	10-1/2"
4	\$118.00	2	3" O.D. Draft Arm	3"	15-3/4"	12-1/2"
2	\$66.00	3	3" O.D. Draft Arm	2"	15-3/4"	12-1/2"

Faucets for Air-Cooled Century Systems are ordered separately. Please see page 53 for available faucet options.





# TOWERS FOR AIR COOLED, AIR SHAFT DISPENSING SYSTEM

## TEE TOWERS - SINGLE BASE

Features all-metal stainless steel, polished chrome and tarnish-free brass body available with two through six faucets.

### STAINLESS STEEL

PART NO.	LIST PRICE	NUMBER OF FAUCETS	OVERALL LENGTH	OVERALL HEIGHT	FAUCET HEIGHT	FAUCET CENTERS
EA2110-2B	\$649.00	2	9-1/8"	12-15/16"	9-1/2"	5-1/2"
EA2110-3B	\$766.00	3	9-1/8"	12-15/16"	9-1/2"	2-3/4"
EA2110-4B	\$888.00	4	11-7/8"	12-15/16"	9-1/2"	2-3/4"
EA2110-5B	\$1,015.00	5	14-5/8"	12-15/16"	9-1/2"	2-3/4"
EA2110-6B	\$1,253.00	6	17-3/8"	12-15/16"	9-1/2"	2-3/4"



EA2100-3B

### POLISHED CHROME

PART NO.	LIST PRICE	NUMBER OF FAUCETS	OVERALL LENGTH	OVERALL HEIGHT	FAUCET HEIGHT	FAUCET CENTERS
EA2110-2BPC	\$718.00	2	9-1/8"	12-15/16"	9-1/2"	5-1/2"
EA2110-3BPC	\$835.00	3	9-1/8"	12-15/16"	9-1/2"	2-3/4"
EA2110-4BPC	\$953.00	4	11-7/8"	12-15/16"	9-1/2"	2-3/4"
EA2110-5BPC	\$1,129.00	5	14-5/8"	12-15/16"	9-1/2"	2-3/4"
EA2110-6BPC	\$1,398.00	6	17-3/8"	12-15/16"	9-1/2"	2-3/4"



EA2100-5B

### TARNISH-FREE BRASS

PART NO.	LIST PRICE	NUMBER OF FAUCETS	OVERALL LENGTH	OVERALL HEIGHT	FAUCET HEIGHT	FAUCET CENTERS
EA2110-2BTF	\$882.00	2	9-1/8"	12-15/16"	9-1/2"	5-1/2"
EA2110-3BTF	\$1,021.00	3	9-1/8"	12-15/16"	9-1/2"	2-3/4"
EA2110-4BTF	\$1,257.00	4	11-7/8"	12-15/16"	9-1/2"	2-3/4"
EA2110-5BTF	\$1,436.00	5	14-5/8"	12-15/16"	9-1/2"	2-3/4"
EA2110-6BTF	\$1,684.00	6	17-3/8"	12-15/16"	9-1/2"	2-3/4"

 **WARNING: California Proposition 65 Notice.**  
See page 15 for details.

Faucets for Air-Cooled Century Systems are ordered separately. Please see page 53 for available faucet options.



# With forward sealing faucets, **you'll never look back.**

Perlick's NEW stainless steel, forward sealing faucets are unique in both appearance and function. A revolutionary ball and floating front seal design prevents beer from being exposed to air. As a result, the handle lever doesn't stick, and there is no build up of mold and bacteria in the faucet body. Fewer internal parts means better reliability and fewer service calls.

- Sanitary 304 stainless steel for all parts that contact product. Protects the flavor of beer and wine.
- A more vertical spout angle provides a better pour and allows superior draining.
- May be cleaned in place - Saves Time and Money.
- Fits standard American shanks.



630SS



The 650SS forward sealing flow control faucet allows for at-the-faucet fine tuning to solve difficult to pour challenges such as growlers and samplers.

***The most sanitary beer  
and wine faucets ever!***



650SS  
Flow Control

Exclusively from Perlick

Contact Perlick today to learn more.

perlick.com • 800.558.5592



QUALITY & INNOVATION  
THAT **INSPIRES**

# FAUCETS AND FAUCET ACCESSORIES

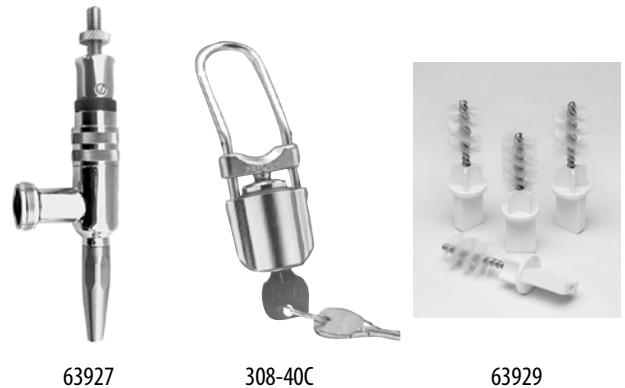
## PERLICK EXCLUSIVE FORWARD SEALING FAUCETS

304 stainless steel, forward sealing beer and wine faucets are unique in both appearance and function. A revolutionary ball and floating front seal design prevents beer from being exposed to air. As a result, the handle lever doesn't stick, and there is no build-up of mold and bacteria in the faucet body. Fewer internal parts means better reliability and fewer service calls.

FORWARD SEALING FAUCETS		
PART NO.	DESCRIPTION	LIST PRICE
630PC	Polished Chrome Faucet	\$45.40
630SS	Stainless Steel Faucet	\$85.50
630SSTF	Stainless Steel Faucet with Tarnish Free Brass Exterior	\$92.70
650SS	Stainless Steel Flow Control Faucet	\$107.00
690SS	Stainless Steel Flow Control Faucet with Push-back Creamer	\$122.00
680SS	Stainless Steel Faucet with Push-back Creamer	\$88.60



FAUCET ACCESSORIES		
PART NO.	DESCRIPTION	LIST PRICE
63927	Stout and Ale faucet - Stainless steel body and spout	\$236.00
63928	Stout and Ale faucet - Brass-plated stainless steel body and stainless steel spout	\$236.00
308-40C	Beer faucet lock for 630 Series Faucets	\$90.70
63929	Sulli plug	\$12.40
308-38	Black knob	\$5.20
67141	Perlick Pub handle - 7-1/2" wooden handle	\$76.30



## GROWLER FILLER TUBE

Fills growler from the bottom to minimize agitation. Less foam, less pour off waste, less time to fill.

GROWLER FILLER TUBE		
PART NO.	DESCRIPTION	LIST PRICE
GT600	Growler filler tube	\$16.50



# DRIP PANS

## TOP MOUNTED DRIP PANS - C18000 SERIES

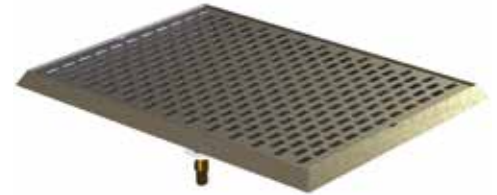
STAINLESS STEEL			
PART NO.	WIDTH	LENGTH	LIST PRICE
C18635A	7-3/4"	8-3/4"	\$212.00
C18640A	7-3/4"	14-3/16"	\$238.00
C18645A	7-3/4"	20-3/4"	\$267.00
C18650A	7-3/4"	26-3/4"	\$339.00
C18655	7-3/4"	33"	\$348.00
C18658	7-3/4"	39"	\$394.00
C18660	7-3/4"	46-9/16"	\$464.00
C18663	7-3/4"	52-7/16"	\$500.00
C18665	7-3/4"	59-3/4"	\$556.00

TARNISH-FREE BRASS			
PART NO.	WIDTH	LENGTH	LIST PRICE
C18635ATF	7-3/4"	8-3/4"	\$479.00
C18640ATF	7-3/4"	14-3/16"	\$505.00
C18645ATF	7-3/4"	20-3/4"	\$530.00
C18650ATF	7-3/4"	26-3/4"	\$774.00
C18655TF	7-3/4"	33"	\$802.00



## TOP MOUNTED DRIP PANS - C18000 SERIES FOR BREW PIPE TOWERS

STAINLESS STEEL			
PART NO.	WIDTH	LENGTH	LIST PRICE
C18750-21	15-1/2"	21"	\$432.00
C18750-27	15-1/2"	27"	\$440.00
C18750-33	15-1/2"	33"	\$453.00
C18750-39	15-1/2"	39"	\$546.00
C18750-51	15-1/2"	51"	\$567.00
C18750-63	15-1/2"	63"	\$634.00



## TOP MOUNTED DRIP PANS - 5000 SERIES

STAINLESS STEEL			
PART NO.	WIDTH	LENGTH	LIST PRICE
5015	5-3/8"	5-3/8"	\$222.00
5020	4-7/8"	13-3/4"	\$230.00
5025	4-7/8"	19"	\$245.00
5028	4-7/8"	24"	\$267.00
5030	4-7/8"	37"	\$354.00
5034	4-7/8"	47-1/16"	\$454.00
5036	4-7/8"	59-7/8"	\$554.00
5124	7-7/16"	40-1/16"	\$408.00
5130	7-7/16"	48-5/8"	\$467.00

TARNISH-FREE BRASS			
PART NO.	WIDTH	LENGTH	LIST PRICE
5015TF	4-7/8"	5-3/8"	\$399.00
5020TF	4-7/8"	13-3/4"	\$423.00
5025TF	4-7/8"	19"	\$463.00
5028TF	4-7/8"	24"	\$559.00
5030TF	4-7/8"	37"	\$851.00



## RECESSED DRIP PANS

STAINLESS STEEL			
PART NO.	WIDTH	LENGTH	LIST PRICE
C11988A	7-5/8"	8-5/16"	\$210.00
C21379A	7-5/8"	14-1/16"	\$246.00
C32357	5-1/8"	19-1/4"	\$279.00
C32257	7-5/8"	20-5/8"	\$281.00
58979	5-1/8"	37-5/16"	\$362.00
69324	7-3/4"	46-1/2"	\$577.00
69327	7-3/4"	59-5/8"	\$639.00
69330	5-3/16"	47-5/16"	\$554.00
69333	5-3/16"	60-1/8"	\$608.00

TARNISH-FREE BRASS			
PART NO.	WIDTH	LENGTH	LIST PRICE
C11988ATF	7-5/8"	8-5/16"	\$487.00
C21379ATF	7-5/8"	14-1/16"	\$530.00
C32357TF	5-1/8"	19-1/4"	\$575.00
C32257TF	7-5/8"	20-5/8"	\$680.00
58979TF	5-1/8"	37-5/16"	\$865.00



**TOP MOUNTED DRIP PANS WITH GLASS RINSER ON CENTER- 6000 SERIES**

<b>STAINLESS STEEL</b>			
<b>PART NO.</b>	<b>WIDTH</b>	<b>LENGTH</b>	<b>LIST PRICE</b>
6020-GRC	7-3/4"	15"	<b>\$522.00</b>
6025-GRC	7-3/4"	20-3/4"	<b>\$543.00</b>
6030-GRC	7-3/4"	24"	<b>\$588.00</b>
6035-GRC	7-3/4"	28"	<b>\$609.00</b>
6040-GRC	7-3/4"	37"	<b>\$643.00</b>
6045-GRC	7-3/4"	42"	<b>\$655.00</b>
6050-GRC	7-3/4"	48"	<b>\$688.00</b>



**TOP MOUNTED DRIP PANS WITH GLASS RINSER ON CENTER- C18000 SERIES**

<b>STAINLESS STEEL</b>			
<b>PART NO.</b>	<b>WIDTH</b>	<b>LENGTH</b>	<b>LIST PRICE</b>
C18640A-GRC	7-3/4"	14-3/16"	<b>\$493.00</b>
C18645A-GRC	7-3/4"	20-3/4"	<b>\$522.00</b>
C18650A-GRC	7-3/4"	26-3/4"	<b>\$594.00</b>
C18655-GRC	7-3/4"	33"	<b>\$602.00</b>
C18658-GRC	7-3/4"	39"	<b>\$655.00</b>
C18660-GRC	7-3/4"	46-9/16"	<b>\$718.00</b>
C18665-GRC	7-3/4"	59-3/4"	<b>\$833.00</b>
C18670-GRC	7-3/4"	66"	<b>\$904.00</b>
C18675-GRC	7-3/4"	72"	<b>\$942.00</b>



**TOP MOUNTED DRIP PANS WITH GLASS RINSER ON END- C18000 SERIES**

<b>STAINLESS STEEL</b>			
<b>PART NO.</b>	<b>WIDTH</b>	<b>LENGTH</b>	<b>LIST PRICE</b>
C18640A-GRE	7-3/4"	14-3/16"	<b>\$493.00</b>
C18645A-GRE	7-3/4"	20-3/4"	<b>\$522.00</b>
C18650A-GRE	7-3/4"	26-3/4"	<b>\$594.00</b>
C18657-GRE	7-3/4"	36"	<b>\$621.00</b>
C18663-GRE	7-3/4"	52-7/16"	<b>\$805.00</b>



**TOP MOUNTED DRIP PANS WITH GLASS RINSER OFFSET - ON CENTER- C18000 SERIES FOR BREWPIPE TOWERS**

<b>STAINLESS STEEL</b>			
<b>PART NO.</b>	<b>WIDTH</b>	<b>LENGTH</b>	<b>LIST PRICE</b>
C18750-21-GRC	15-1/2"	21"	<b>\$681.00</b>
C18750-27-GRC	15-1/2"	27"	<b>\$857.00</b>
C18750-33-GRC	15-1/2"	33"	<b>\$1,533.00</b>
C18750-39-GRC	15-1/2"	39"	<b>\$1,557.00</b>
C18750-51-GRC	15-1/2"	51"	<b>\$1,801.00</b>
C18750-63-GRC	15-1/2"	63"	<b>\$1,981.00</b>



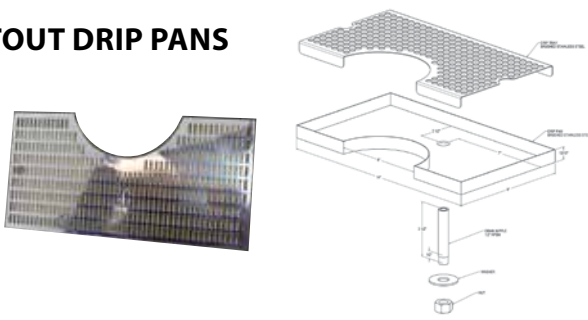
**TOP MOUNTED BEVEL EDGE DRIP PANS FOR TEE SHAPED BREW PIPE TOWERS**

<b>STAINLESS STEEL</b>			
<b>PART NO.</b>	<b>WIDTH</b>	<b>LENGTH</b>	<b>LIST PRICE</b>
7020-32	15-1/2"	21"	<b>\$1,120.00</b>
7020-38	15-1/2"	27"	<b>\$1,317.00</b>
7020-44	15-1/2"	33"	<b>\$1,515.00</b>
7020-50	15-1/2"	39"	<b>\$1,711.00</b>
7020-62	15-1/2"	51"	<b>\$2,106.00</b>



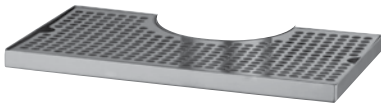
# DRIP PANS

## CUTOUT DRIP PANS



PART NO.	HEAD TYPE	HEAD DIA.	WIDTH	LENGTH	LIST PRICE
62303	Brass, Roma, Gambrinus	8-1/2"	10"	19-3/4"	\$508.00
62303SS	SS, Roma, Gambrinus	8-1/2"	10"	19-3/4"	\$655.00
62304	Brass, Torino	10"	10"	19-3/4"	\$655.00
66596	For 4" Draft Arm	6"	8"	14"	\$472.00
66596TF	For 4" Draft Arm (TF Brass)	6"	8"	14"	\$588.00

## 4" O.D. DRAFT ARM DRIP PANS with 6" CUTOUT



STAINLESS STEEL			
PART NO.	WIDTH	LENGTH	LIST PRICE
66596	8"	14"	\$472.00

TARNISH-FREE BRASS			
PART NO.	WIDTH	LENGTH	LIST PRICE
66596TF	8"	14"	\$588.00

## STAINLESS STEEL DRIP PAN with GLASS RINSER



PART NO.	DESCRIPTION	WIDTH	LENGTH	LIST PRICE
43840SS-R	Stainless steel drip pan w/glass rinser	23-3/4"	16"	\$688.00

NOTE: Hole is not pre-drilled for tower

## DRIP PAN ACCESSORIES

PART NO.	DESCRIPTION	LIST PRICE (per foot)
1390D	1/2" I.D. Vinyl Drain Tube - Anti-Microbial	\$2.10

## LUCKY/PANTHER/SEXY DRIP PANS



NOTE: No holes provided for dispensing towers.

\* Not recommended for two 4-faucet Panther Towers

STAINLESS STEEL			
PART NO.	WIDTH	LENGTH	LIST PRICE
43839SS	16"	16"	\$501.00
*43840SS	16"	25-3/4"	\$626.00

GOLD TONE			
PART NO.	WIDTH	LENGTH	LIST PRICE
43839G	16"	16"	\$609.00
*43840G	16"	25-3/4"	\$744.00

## ANGLED DRIP PANS



STAINLESS STEEL			
PART NO.	WIDTH	LENGTH	LIST PRICE
57120	6-1/2"	19-1/4"	\$428.00

TARNISH-FREE BRASS			
PART NO.	WIDTH	LENGTH	LIST PRICE
57120TF	6-1/2"	19-1/4"	\$693.00

## GLASS RINSER WITH DRAINER



PART NO.	DESCRIPTION	WIDTH	LENGTH	LIST PRICE
C18000GR	Top Mount Bevel Edge Drainer	7-5/8"	7-5/8"	\$459.00
5000GR	Top Mount Straight Edge Drainer	7-5/8"	7-5/8"	\$475.00
67971GR	Recessed Drain	7-5/8"	7-5/8"	\$459.00

PART NO.	DESCRIPTION	LIST PRICE (per foot)
68743SS	Rinser w/John Guest Ftg. Kit	\$168.00
GR-1K	Water pressure regulator parts bag for rinser	\$80.40

# REGULATOR PANEL KITS / KEG COUPLERS

## REGULATOR PANEL KITS

Each kit includes a secondary regulator panel, keg coupler(s), air hose, beer connector(s), nuts, tailpieces, washers and hose clamps needed to connect the air system and the product lines in the walk-in cooler.



- Panels feature a redesigned 304SS wall bracket with a 3/8" barbed tailpiece.
- Accessory tailpieces are available to directly connect 5/16" and 1/4" beverage lines.
- Panels are sized and pre-drilled to receive FOB's or 2-way and 3-way Perlick manifolds which are field installed.

### LOCKING REGULATOR PANEL WITH 36000G COUPLER

PART NO.	DESCRIPTION	LIST PRICE
RPK1CL	Single	\$406.00
RPK2CL	Dual	\$679.00
RPK3CL	Three-way	\$973.00
RPK4CL	Four-way	\$1,258.00

### NON-LOCKING REGULATOR PANEL WITH 36000G COUPLER

PART NO.	DESCRIPTION	LIST PRICE
RPK1C	Single	\$359.00
RPK2C	Dual	\$622.00
RPK3C	Three-way	\$902.00
RPK4C	Four-way	\$1,158.00

### LOCKING REGULATOR PANEL WITHOUT COUPLER

PART NO.	DESCRIPTION	LIST PRICE
RPK1L	Single	\$330.00
RPK2L	Dual	\$524.00
RPK3L	Three-way	\$731.00
RPK4L	Four-way	\$955.00

### NON-LOCKING REGULATOR PANEL WITHOUT COUPLER

PART NO.	DESCRIPTION	LIST PRICE
RPK1	Single	\$283.00
RPK2	Dual	\$468.00
RPK3	Three-way	\$673.00
RPK4	Four-way	\$855.00

## IMPORTED KEG COUPLERS

PART NO.	DESCRIPTION	LIST PRICE
63907*	G System for Bass, Anchor Steam, Boddington	\$162.00
63909*	A System for Warsteiner, Spaten, Paulaner	\$162.00
63908*	U System for Guinness, Harp	\$162.00
37500GS*	Probe, stainless steel, less lock	\$89.70

\* Includes U.S.-threaded adapter.



## TAILPIECE CONVERSION PARTS BAG

PART NO.	DESCRIPTION	LIST PRICE
67994S31-4	Tailpiece Conversion Parts Bag, 5/16" straight, (4) lines, 304 stainless steel	\$39.20
67994S25-4	Tailpiece Conversion Parts Bag, 1/4" straight, (4) lines, 304 stainless steel	\$39.20
67994E31-4	Tailpiece Conversion Parts Bag, 5/16" elbow, (4) lines, 304 stainless steel	\$50.50
67994E25-4	Tailpiece Conversion Parts Bag, 1/4" elbow, (4) lines, 304 stainless steel	\$50.50



# REGULATOR PANEL KITS

## REGULATOR PANEL KITS WITH FOB'S

Each kit includes a secondary regulator panel with factory installed FOB's, keg coupler(s), air hose, beer connector(s), nuts, tailpieces, washers and hose clamps needed to connect the air system and the product lines in the walk-in cooler.



- Factory installed FEX0208 FOB's come standard with a 304SS, 90 degree elbow, 3/8" barbed-tailpiece. Allows for easier routing of beer lines and a cleaner looking installation.
- Accessory tailpieces are available to directly connect 5/16" and 1/4" beverage lines, eliminating additional adapters, splices and clamps.
- Panels are pre-drilled for mounting 2-way and 3-way Perlick manifolds.
- The panel size and layout of the components has been optimized for maximum accessibility to simplify installation.

## LOCKING REGULATOR PANEL WITH FACTORY INSTALLED FOB DETECTOR AND COUPLER

PART NO.	DESCRIPTION	LIST PRICE
RPKF1CL	Single	\$701.00
RPKF2CL	Dual	\$1,346.00
RPKF3CL	Three-way	\$1,974.00
RPKF4CL	Four-way	\$2,583.00

## LOCKING REGULATOR PANEL WITH FACTORY INSTALLED FOB DETECTOR WITHOUT COUPLER

PART NO.	DESCRIPTION	LIST PRICE
RPKF1L	Single	\$599.00
RPKF2L	Dual	\$1,137.00
RPKF3L	Three-way	\$1,666.00
RPKF4L	Four-way	\$2,169.00

## NON-LOCKING REGULATOR PANEL WITH FACTORY INSTALLED FOB DETECTOR AND COUPLER

PART NO.	DESCRIPTION	LIST PRICE
RPKF1C	Single	\$657.00
RPKF2C	Dual	\$1,293.00
RPKF3C	Three-way	\$1,918.00
RPKF4C	Four-way	\$2,532.00

## NON-LOCKING REGULATOR PANEL WITH FACTORY INSTALLED FOB DETECTOR WITHOUT COUPLER

PART NO.	DESCRIPTION	LIST PRICE
RPKF1	Single	\$554.00
RPKF2	Dual	\$1,082.00
RPKF3	Three-way	\$1,608.00
RPKF4	Four-way	\$2,155.00

## MCDANTIM'S CHECK VALVE TEES

Protect your McDantim Blender from filling with water. This occurs when the blender is on the same gas system as the soda carbonator and the CO2 supply fails or the carbonator doesn't have a back flow preventer.



67289

PART NO.	DESCRIPTION	LIST PRICE
67289	Check Valve Tee - 3/8" x 3/8" x 3/8"	\$74.20
67288	Check Valve Tee - 1/4" x 1/4" x 1/4"	\$71.10
67290	Check Valve Tee - 1/4" x 1/4" x 3/8"	\$74.20
67291	Check Valve Tee - 1/4" x 3/8" x 3/8"	\$76.30



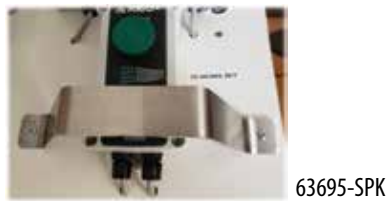
## CO2 DETECTOR

PART NO.	DESCRIPTION	LIST PRICE
63695	CO2 Detecting Monitor Kit	<b>\$1,250.00</b>

Kit includes: Central Display Unit, CO2 Sensor Unit, Alarm Unit and quick connect with universal power supply.

## CO2 DETECTOR ACCESSORIES

PART NO.	DESCRIPTION	LIST PRICE
63695-CO2	CO2 Sensor QC	<b>\$571.00</b>
63695-BS	Blue Strobe QC	<b>\$260.00</b>
63695-SPK	Sensor Protector Kit	<b>\$114.00</b>



## IN-LINE GAS LEAK DETECTOR

PART NO.	DESCRIPTION	LIST PRICE
67114	In-Line Gas Leak Indicator	<b>\$320.00</b>

## MANIFOLDS - TWO AND THREE OUTLETS

PART NO.	DESCRIPTION	LIST PRICE
43818-1	3/8" U Bend "Y" Fitting	<b>\$18.60</b>
40139C38	Manifold Assembly with 3/8" Output	<b>\$122.00</b>
40139B31	Parts bag to convert Manifold Assembly to 5/16" Output	<b>\$20.60</b>
40139B25	Parts bag to convert Manifold Assembly to 1/4" Output	<b>\$20.60</b>

**Note:** For a 5/16" or 1/4" output, order the "Manifold Assembly" (40139C38) along with the corresponding parts bag to convert it to the desired output diameter.



40139C38

43818-1

## REGULATORS

PART NO.	DESCRIPTION	LIST PRICE
2930E	CO2-High Pressure for Cylinders	<b>\$192.00</b>
43833	Nitrogen-High Pressure for Cylinders	<b>\$193.00</b>
40091AHP	CO2-High Pressure for Bulk Storage	<b>\$246.00</b>

## BEER PUMP PANEL GUARD

PART NO.	DESCRIPTION	LIST PRICE
66573-1	1 Product beer pump panel protective guard	<b>\$151.00</b>
66573-2	2 Product beer pump panel protective guard	<b>\$183.00</b>
66573-3	3 Product beer pump panel protective guard	<b>\$213.00</b>
66573-4	4 Product beer pump panel protective guard	<b>\$244.00</b>

## VENTED UNIVERSAL EMPTY KEG SENSOR (EKS)

Shuts off beer when the keg empties, eliminating beer waste while changing kegs. The integral vent allows gas between the fresh keg and the EKS to be released. Minimizes foam waste at the tap and can be cleaned in either direction. Compact design allows for more thorough cleaning. More sanitary than competitor's FOBs. Designed for either keg or wall mounts.

### VENTED UNIVERSAL EMPTY KEG SENSOR (EKS)

PART NO.	DESCRIPTION	LIST PRICE
43739AV	5/8" Vented EKS	<b>\$123.00</b>



43739AV

# TERMS AND CONDITIONS

## TERMS NET 30 DAYS

Payment by Visa, MasterCard or Discover card accepted or cash in advance unless prior accommodations have been made with our Credit Department. Please direct inquiries for detailed information to our Credit Manager. All sales, excise, or similar taxes required by law to be collected or paid by seller shall be in addition to prices quoted unless an appropriate Tax Exemption certificate is furnished. All goods are sold F.O.B. factory. Except for otherwise provided, Perlick will not be responsible for freight, transportation, insurance, shipping, storage, handling, demurrage or similar charges. Invoices are payable in full in thirty (30) days following the invoices date of issuance. If by the terms of sale credit is extended, Perlick reserves the right to revoke such credit if buyer fails to pay for any products when due and may demand payment prior to the commencement of any further shipment.

## MINIMUM ORDER \$40.00

## METHOD OF SHIPMENT

All shipments are carefully packed and labeled. Crates, boxes and cartons used are of approved weight and strength. Freight rates are based upon 100 pound minimum.

## LOST and DAMAGED MERCHANDISE THE RESPONSIBILITY OF THE PERLICK CORPORATION CEASES UPON ACCEPTANCE OF ITS PRODUCTS BY THE CARRIER.

Any damage or loss sustained in shipment is the carrier's responsibility. Before giving the carrier a clean receipt at time of delivery, make sure you receive every item on the bill and inspect every carton, crate and box for concealed damage, i.e., broken boards, crushed or punctured cartons, torn cardboard. **IF ANY ITEMS ARE SHORT OR DAMAGED, DO NOT ACCEPT THE SHIPMENT UNLESS THE CARRIER MAKES A NOTATION OF THIS ON YOUR FREIGHT BILL.** Then request an inspection. Do not destroy the packing materials. If their agent does not make an inspection within five days, advise the carrier via letter that you notified them regarding the matter and they have failed to act. You will need this letter to support your claim. Then file a claim for your loss. When you give the carrier a clean receipt, you accept the total responsibility for the shipment. UPS shipments are insured individually and UPS will replace all merchandise that is lost or damaged.

## RETURN OF MERCHANDISE

Do not return any merchandise without our approval. Merchandise returned without a return merchandise authorization number will not be accepted at Perlick. Used, discontinued, and made-to-order items cannot be returned for credit. Made-to-order items, include Trunk Housing and specially made non-catalog items as well. Items returned must be in new condition and packaged in their original carton or crate. Freight charges must be prepaid on all return shipments.

When a return is authorized, a credit may be allowed pending an examination of the returned goods. The amount of the restocking charge will depend on the condition of the equipment. The minimum restocking charge for Power Paks, Regulators, Couplers and other Tapping accessories parts is 20%. The minimum restocking charge for Dispensing Heads is 50%. The restocking charge on the item returned is either a percentage of the value of the item or \$35.00, whichever is greater.

## ONE YEAR PARTS WARRANTY

Perlick products are guaranteed against defects in both material and workmanship for a period of one year from date of sale. Defective parts will be replaced on a no-charge basis, F.O.B. our factory, when adjudged defective upon inspection. We are not responsible for parts damaged by alteration, unauthorized service, accident or abuse. All costs incident to replacement, to include freight, labor and/or loss of sales, must be borne by the user.

## ONE YEAR LABOR WARRANTY on POWER PAKS

In addition to Perlick's one year parts warranty and five year compressor warranty, Power Paks are offered with a one year labor warranty at no extra charge. Perlick's one year labor/service warranty at no extra charge. Perlick's 90 Day labor/Service warranty provides that perlick will reimburse the our authorized dealers or company for the cost of any labor to replace any defective part for up to one year after installation, subject to the following conditions:

- Parts returned to Perlick shall be returned freight prepaid and shall be identified with Perlick's serial number and return authorization number.
- Improper operation due to voltage variances, inadequate wiring and physical damage is the responsibility of the purchaser. They are not manufacturing defects.
- Condenser coils shall be cleaned regularly. Failure to provide an adequate flow of cooling air will void this warranty.
- Factory-specified maintenance and installation will be provided by the selling dealer who shall also be responsible for the installation and set-up of these products in accordance with local plumbing, refrigeration and electrical codes.

Perlick's one year labor/service policy applies to the United States and Canada. It does not apply to Power Paks which have been subject to misuse, neglect, alteration, accident, or to any damage caused by transportation.

Perlick's one year labor/service warranty provides that Perlick's registration card be filled in and mailed within ten days after the date of installation. Failure to reply promptly could void Perlick's labor/service warranty.



## **SECOND YEAR EXTENDED PARTS & LABOR WARRANTY ON POWER PAKS**

Perlick's 1 year parts and labor warranty can be extended to two years with the purchase of a two year parts and labor warranty.

## **FIVE YEAR COMPRESSOR WARRANTY (Self Contained Units)**

The Perlick Corporation will warrant to the original user the sealed-in mechanism consisting of the motor compressor and component parts within the sealed housing of the condensing unit for an additional period of four years following the regular one-year warrant period. This plan applies to the compressor only, installed within the United States and Canada. Perlick's 1 year parts labor/service policy applies to the United States and Canada. It does not apply to refrigeration systems added by others (remote systems) or any part which has been subject to misuse, neglect, alteration, accident, or to any damage caused by transportation, flood, fire or other acts of God.

Perlick's 1 year parts & service/labor warranty provides that Perlick's registration card be completed and mailed within ten days after the date of installation. Failure to reply promptly could void Perlick's labor/service warranty.

## **EXPORT-1 Year Parts Only.**

## **EXCLUSION OF WARRANTIES**

EXCEPT AS PROVIDED ABOVE PERLICK MAKES NO WARRANTIES, EXPRESS OR IMPLIED, INCLUDING, BUT NOT LIMITED TO, ANY IMPLIED WARRANTY OF MERCHANTABILITY, FITNESS FOR A PARTICULAR PURPOSE OR NON INFRINGEMENT.

## **WARRANTY CONTACT INFORMATION:**

Technical Service (Partstown) phone number: 844-411-8050

Technical Service email (Partstown): servicedept@perlick.com

Warranty Claim Submissions (Perlick): warrantyinvoice@perlick.com

## **LIMITATION OF REMEDIES AND DAMAGES**

If Buyer makes a valid and timely claim as outlined above, Perlick's liability and Buyer's remedies under this agreement will be limited solely to labor charges authorized and/or replacement or credit, at Perlick's option, with respect to Products returned at Buyer's expense within thirty (30) days after warranty repair. PERLICK'S LIABILITY WILL IN NO EVENT BE GREATER IN AMOUNT THAN THE PURCHASE PRICE OF THE RETURNED PRODUCTS. PERLICK WILL NOT BE LIABLE UNDER ANY CIRCUMSTANCE FOR CONSEQUENTIAL OR INCIDENTAL DAMAGES, INCLUDING, BUT NOT LIMITED TO, LABOR COSTS EXCEPT AS COVERED UNDER OUR WARRANTY, LOST PROFITS OR THE LOSS OF PERISHABLE PRODUCTS RESULTING FROM THE USE OF OR INABILITY TO USE OUR PRODUCTS OR FROM OUR PRODUCTS, INCORPORATION INTO OR BECOMING A COMPONENT OF ANY OTHER PRODUCT. NEITHER PARTY WILL HAVE ANY NEGLIGENCE OR OTHER TORT LIABILITY TO THE OTHER, OR TO ANY THIRD PARTY, ARISING FROM ANY BREACH OF THIS AGREEMENT.

## **GOVERNING LAW; JURISDICTION**

The terms and conditions of an order are to be governed and construed according to the laws of the State of Wisconsin, without regard to conflict of laws principles. Buyer hereby consents to the jurisdiction and venue of the courts located in Milwaukee County, Wisconsin.

**NOTE** - Perlick is committed to continuous improvement. Therefore we reserve the right to change prices, specifications and policies without prior notice.





## CENTURY PERFORMANCE GUARANTEE

### 1. Limited Warranty. Perlick warrants to Buyer that:

- (a) Every Perlick Century System ("**Century System**") will ensure that beer
  - (i) is poured with a CO2 content of  $-2.75 \text{ vol/vol} \pm 0.2 \text{ vol/vol}$ ;
  - (ii) is poured with an alcohol content of  $4.2 \text{ ABV} \pm 0.2 \text{ ABV}$
  - (iii) pours clear at a flow rate of  $124 \text{ oz/min} \pm 5 \text{ oz/min}$ ;
  - (iv) pours at  $38 \text{ degrees Fahrenheit} \pm 2 \text{ degrees}$  when the cooler is maintained at  $36 \pm 2 \text{ degrees Fahrenheit}$ ;
  - (v) produces a  $3/4"$  to  $1"$  foam head when poured in a manner consistent with Brewers Association best practices using clean glassware (as defined below), will (collectively, "**Specifications**").
- (b) For a period of one (1) year from the date of installation of the Century System (the "**Warranty Period**"), the Century System will materially conform to the Specifications as of the date of installation and will be free from significant defects in material and workmanship.
- (c) For a period of one (1) year from the date of installation, any defective part of a Century System will be replaced at no charge to Buyer, FOB Perlick's factory.
- (d) For a period of one (1) year from the date of installation, Perlick will pay for the cost of any labor required to repair or replace any defective Century System at standard rate.



### 2. Warranty Limitations. The warranties under Section 1 do not apply where the Century System has:

- (a) Been installed by anyone other than a Certified Perlick Installer, per Perlick's quotation;
- (b) Been subjected to abuse, misuse, neglect, negligence, accident, improper maintenance, improper storage, improper handling, abnormal physical stress, abnormal environmental conditions or use contrary to any instructions issued by Perlick or the Certified Perlick Installer, including without limitation, failure to maintain the Century System according to industry standards including proper line cleaning and Power Pak condenser cleaning; and seasonal shut downs and startups per Perlick specifications.
- (c) Been reconstructed, repaired, or altered by anyone other than Perlick or its Certified Perlick Installer; or
- (d) Been used with any third-party product, hardware or product that has not been previously approved in writing by Perlick.



**3. Brewers Association Best Practices.** For purposes of this Performance Guaranty, Brewers Association best practices for pouring beer are as follows:

- (a) Place standard beer-clean pint glass free of visible soil, marks, and foam killing residues or lingering aromatics glass at 45° angle, one inch below faucet. Glassware temperature should be 41 degree Fahrenheit +/- 3 degrees
- (b) Do not let glass touch faucet. Open faucet.
- (c) After glass is half full, gradually bring glass to upright position.
- (d) Let remaining beer run straight down the middle. This insures proper release of CO<sub>2</sub>, resulting in a 3/4" to 1" foam head.
- (e) Close the faucet completely and quickly.

**4. Buyer's Exclusive Remedy for Defective Century System.** This Performance Guarantee contains Buyer's exclusive remedy for defective Century System performance. Buyer's remedy under this Performance Guarantee is conditioned upon Buyer's compliance with its obligations under Section 4(a) and 4(b) below. During the Warranty Period, with respect to any alleged defective performance of the Century System:

- (a) Buyer shall notify Perlick, in writing, of any alleged claim or defect within 10 business days from the date Buyer discovers, or upon reasonable inspection should have discovered, such alleged claim or defect (but in any event before the expiration of the applicable Warranty Period);
- (b) Buyer shall make the Century System available for inspection and testing by Perlick;
- (c) If Perlick's inspection and testing reveals, to Perlick's reasonable satisfaction, that such Century System is defective, and any such defect has not been caused or contributed to by any of the factors described under Section 2, Perlick shall in its sole discretion, and at its expense, (i) repair or replace such Century System, or (ii) credit or refund the price of such Century System, less any applicable discounts, rebates or credits; and
- (d) Buyer has no right to return for repair, replacement, credit, or refund any Century System except as set forth in this 4. In no event shall Buyer reconstruct, repair, alter, or replace any Century System, in whole or in part, either itself or by or through any third party, or this Performance Guarantee shall be void and of not effect. THIS PERFORMANCE GUARANTEE SETS FORTH THE BUYER'S SOLE AND EXCLUSIVE REMEDY AND PERLICK'S ENTIRE LIABILITY FOR ANY BREACH OF THE LIMITED WARRANTY SET FORTH IN SECTION 1.

**5. Disclaimer.** EXCEPT FOR THE EXPRESS WARRANTIES SET FORTH IN Section 1, PERLICK MAKES NO WARRANTY WHATSOEVER WITH RESPECT TO THE CENTURY SYSTEM, INCLUDING ANY (a) WARRANTY OF MERCHANTABILITY; (b) WARRANTY OF FITNESS FOR A PARTICULAR PURPOSE; (c) WARRANTY AGAINST INFRINGEMENT OF INTELLECTUAL PROPERTY RIGHTS OF A THIRD PARTY; WHETHER ARISING BY LAW, COURSE OF DEALING, COURSE OF PERFORMANCE, USAGE OF TRADE, OR OTHERWISE.

**6. No Liability for Consequential or Indirect Damages.** NEITHER PERLICK NOR ITS REPRESENTATIVES IS LIABLE FOR CONSEQUENTIAL, INDIRECT, INCIDENTAL, SPECIAL, EXEMPLARY, PUNITIVE OR ENHANCED DAMAGES, LOST PROFITS OR REVENUES OR DIMINUTION IN VALUE, ARISING OUT OF OR RELATING TO ANY BREACH OF THIS PERFORMANCE GUARANTY OR BREACH OF WARRANTY, REGARDLESS OF (A) WHETHER SUCH DAMAGES WERE FORESEEABLE, (B) WHETHER OR NOT PERLICK WAS ADVISED OF THE POSSIBILITY OF SUCH DAMAGES AND (C) THE LEGAL OR EQUITABLE THEORY (CONTRACT, TORT, OR OTHERWISE) UPON WHICH THE CLAIM IS BASED, AND NOTWITHSTANDING THE FAILURE OF ANY AGREED OR OTHER REMEDY OF ITS ESSENTIAL PURPOSE.



